

DC-1A
12948G-15

AMPLIFIED DYNAMIC MICROPHONE - MODEL DC-1A

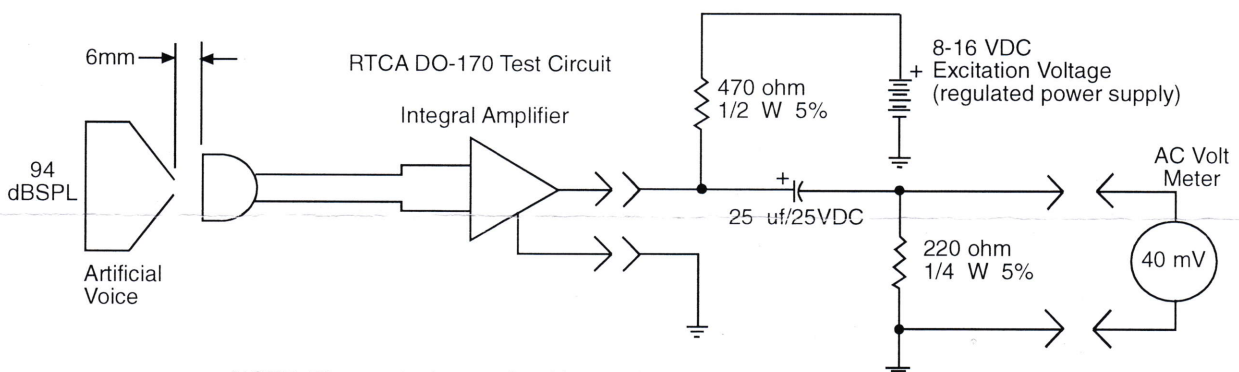
The David Clark Company Amplified Dynamic Microphone is a noise cancelling type designed to operate in place of carbon and amplified dynamic microphones. This microphone will not operate in circuits that do not supply a DC bias voltage. Most modern aviation communications equipment do supply this required voltage. If you are not certain, consult your radio technical manual or with your avionics shop.

NOTE

We strongly recommend that the master gain control located within the radio be optimized by a competent avionics or radio technician whenever adding a new model microphone. The David Clark Company Incorporated Model DC-1A Microphone is designed to conform to guidelines set forth by The Radio Technical Commission for Aeronautics.

SPECIFICATIONS – MODEL DC-1A (P/N 12948G-15)

1. DC supply voltage and source resistance: 8 to 16 volts, 220 to 2200 ohms—**not polarity sensitive**.
2. Output voltage of 40 mV, +/- 3dB 1000 Hz for 94 dB SPL (re: .0002 microbar) input, as a function of DC source resistance and AC load impedance:



NOTE: The equivalent ac load is equal to 150 ohms.

3. Frequency response: designed for optimum speech intelligibility and noise cancellation.
4. Ambient noise level: Communications can be carried on in noise levels up to 120 dB SPL (re: .0002 microbar) with adequate signal to noise ratio. Microphone must be zero to 1/8" from lips at corner of mouth for best signal to noise ratio (maximum noise cancellation).