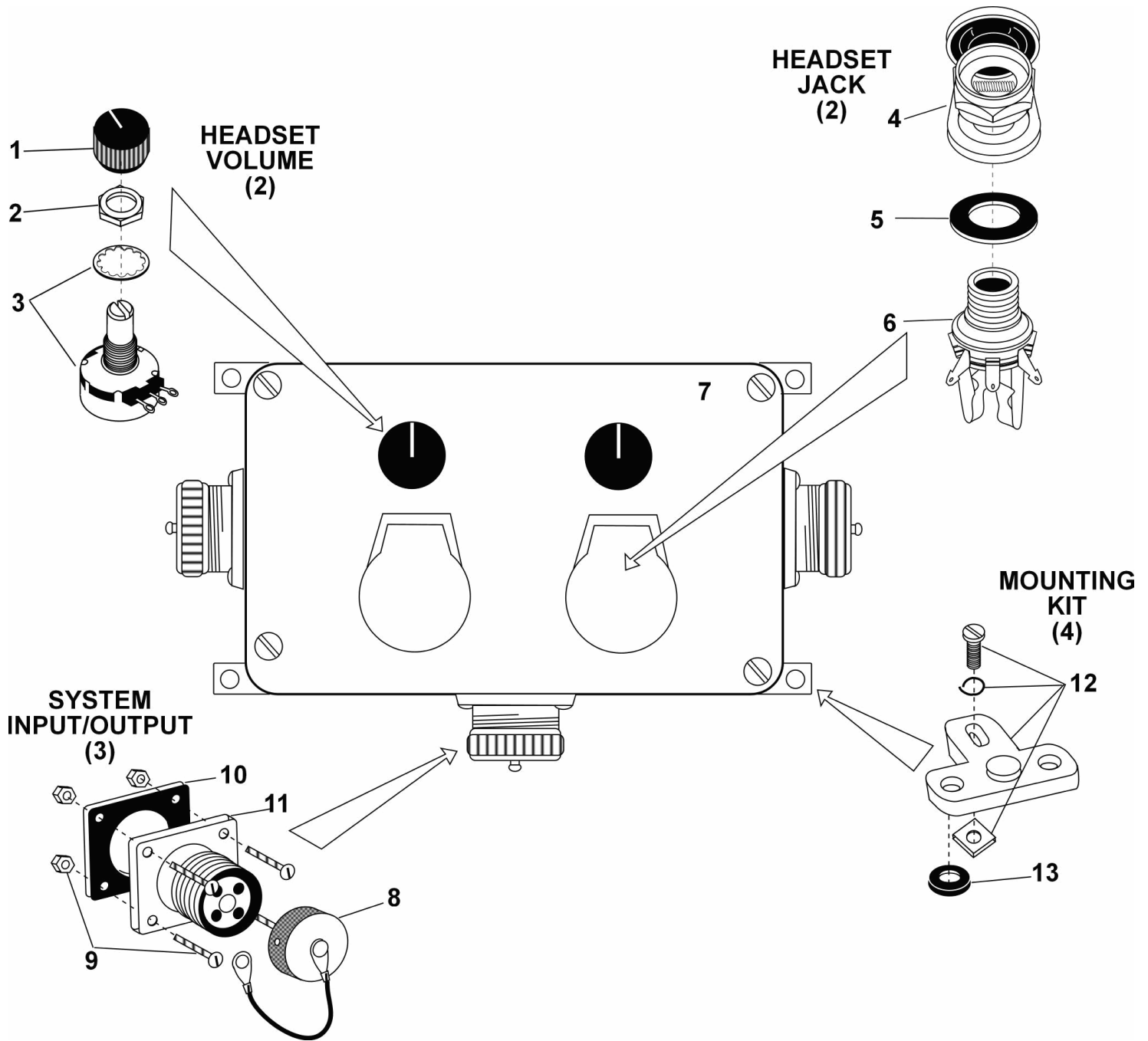


David Clark COMPANY INCORPORATED

360 Franklin Street, Box 15054, Worcester, MA 01615-0054
TEL.: (508) 751-5800 E-Mail: sales@DavidClark.com FAX: (508) 753-5827

PARTS LIST MODEL U3806



No.	Description	Part No.
1	Knob	09347P-15
2	Shaft Seal Nut	13145P-05
3	Volume Control	09349P-30
4	Jack Cover (with Nut)	09518P-04
5	Neoprene Washer (10/pk)	18900G-39
6	Headset Jack	09228P-03
7	Box	26497P-65

No.	Description	Part No.
8	Cap (and nylon cord)	13238P-01
9	Screws and Nuts (4 ea.)	18900G-01
10	Gasket	13176P-03
11	Connector (4 socket)	00084M-04
12	Mounting Kit	09865P-03
13	Grommet (4 ea.)	18900G-08

ELECTRICAL SCHEMATIC MODEL U3806

