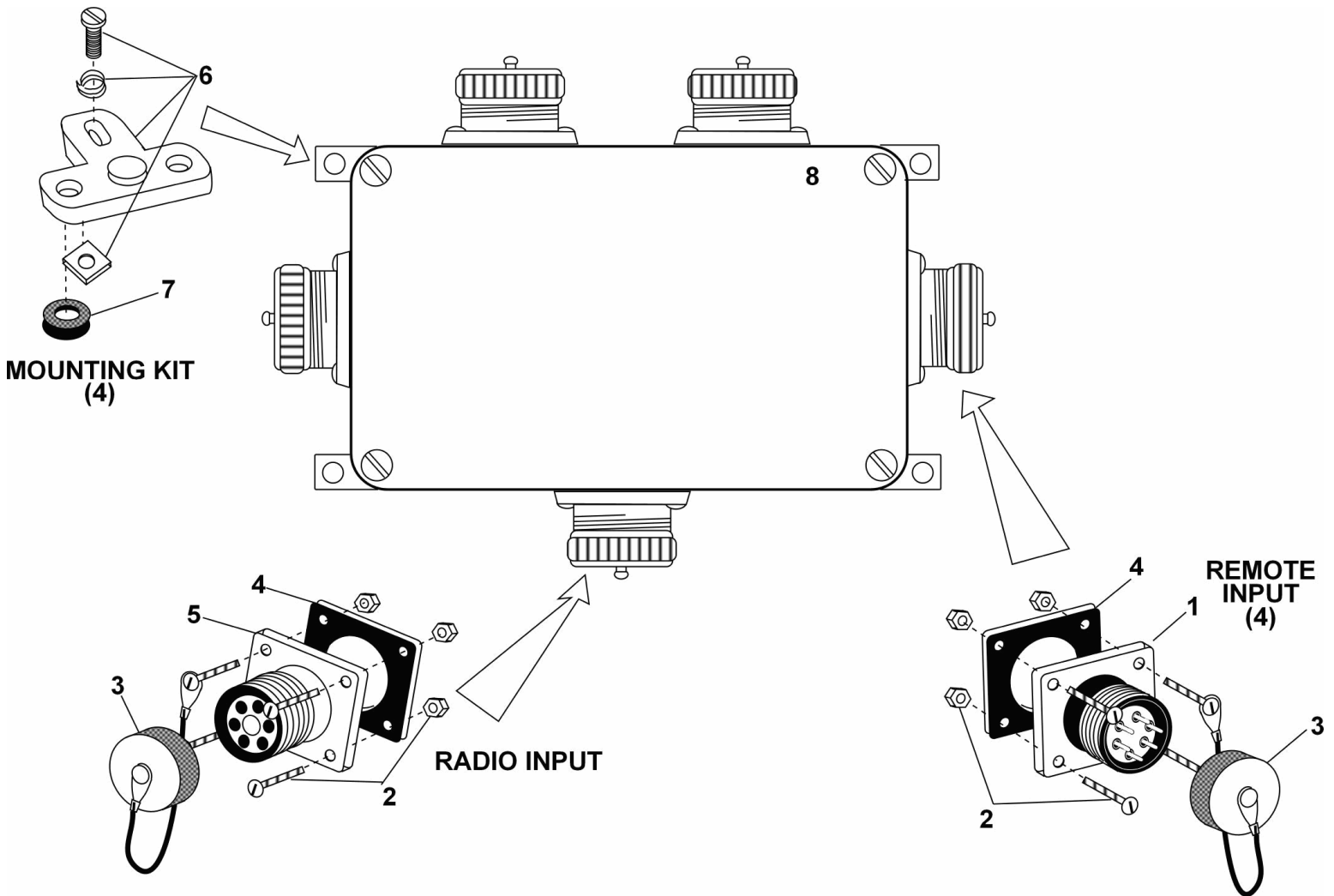


**PARTS LIST**  
**MODEL U3805**



No.	Description	Part No.
1	Connector (6 pin)	00084M-09
2	Screws and Nuts (4 ea.)	18900G-01
3	Cap (and nylon cord)	13238P-01
4	Gasket	13176P-03

No.	Description	Part No.
5	Connector (6 socket)	00084M-05
6	Mounting Kit	09865P-03
7	Grommet (4 ea.)	18900G-08
8	Box	26497P-20

# ELECTRICAL SCHEMATIC MODEL U3805

