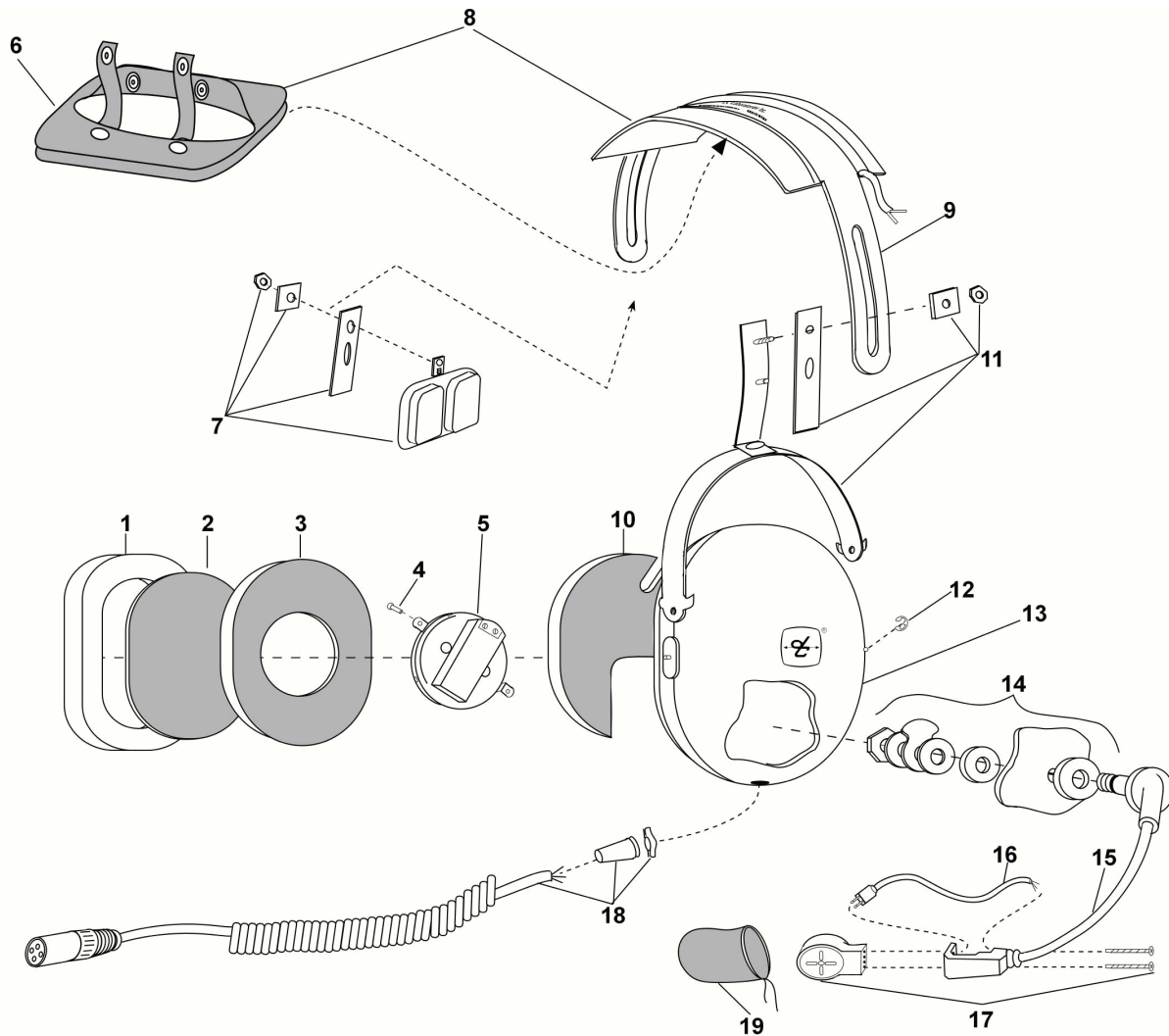


David Clark COMPANY INCORPORATED

360 Franklin Street, Box 15054, Worcester, MA 01615-0054
 TEL.: (508) 751-5800 E-Mail: sales@DavidClark.com FAX: (508) 753-5827

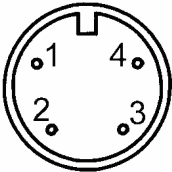
PARTS LIST MODEL H8595



No.	Description	Part No.
1	Undercut Gel Earseal (pair)	40863G-02
2	Filter	14096P-09
3	Dome Filter	25629P-03
4	Screw (4/pk)	18900G-47
5	Earphone Assembly	10376G-29
6	Headpad Restraint, Foam	40266G-03
7	Temple Pad Assy Kit	18900G-37
8	Headpad Assy	18900G-48
9	Headband Spring	15093P-03
10	Filter (1 each)	26475P-08

No.	Description	Part No.
11	Stirrup & Clamp Kit	22378G-15
12	Retaining Ring (10/pk)	00009M-03
13	Left Dome	15253P-11
14	Boom Attachment Kit	12840G-17
15	Mic Boom Assy	18688G-05
16	Microphone Plug Cord	18744G-01
17	Mic, M-101/AIC 150 ohms	09168P-27
18	Comm Cord Kit	40599G-66
19	Mic Muff	18434G-02

ELECTRICAL SCHEMATIC
MODEL H8595



PIN VIEW
NC4MX

