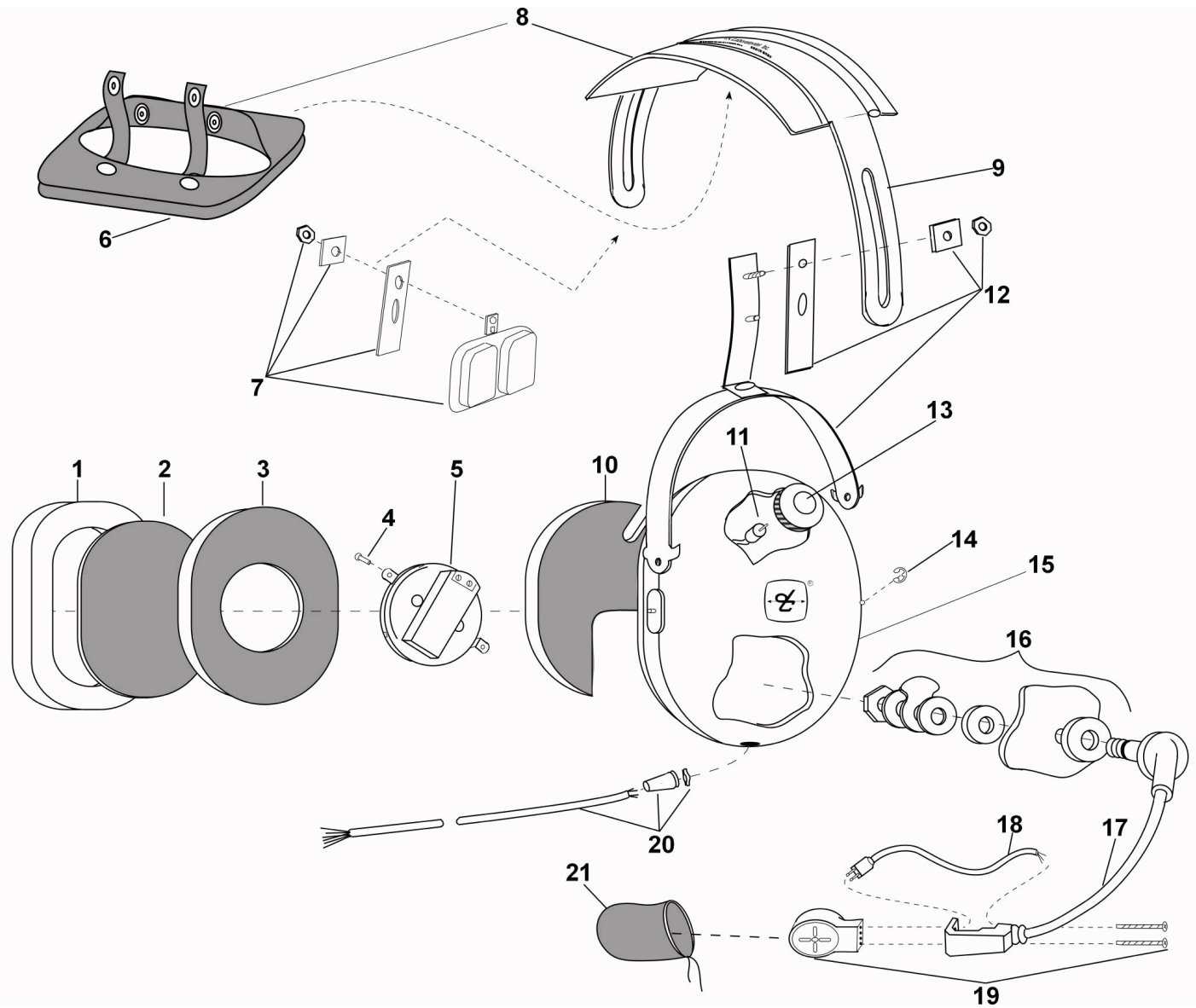


# David Clark COMPANY INCORPORATED

360 Franklin Street, Box 15054, Worcester, MA 01615-0054  
TEL.: (508) 751-5800 E-Mail: sales@DavidClark.com FAX: (508) 753-5827

## PARTS LIST MODEL H8590



No.	Description	Part No.
1	Undercut Gel Earseal (pair)	40863G-02
2	Filter	14096P-09
3	Dome Filter	25629P-03
4	Screw (4/pk)	18900G-47
5	Earphone Assembly	10376G-41
6	Headpad Restraint, Foam	40266G-03
7	Temple Pad Assy Kit	18900G-37
8	Headpad Assy	18900G-48
9	Headband Spring	15093P-03
10	Filter (1 each)	26475P-08
11	Volume Control	09349P-34

No.	Description	Part No.
12	Stirrup & Clamp Kit	22378G-15
13	Volume Control Knob	15109P-01
14	Retaining Ring (10/pk)	00009M-03
15	Left Dome	15253P-10
16	Boom Attachment Kit	12840G-08
17	Mic Boom Assy	18688G-05
18	Microphone Plug Cord	18744G-01
19	Mic, M-101/AIC 150 ohms	09168P-27
20	Comm Cord Kit	18028G-84
21	Mic Muff	18434G-02

# ELECTRICAL SCHEMATIC MODEL H8590

