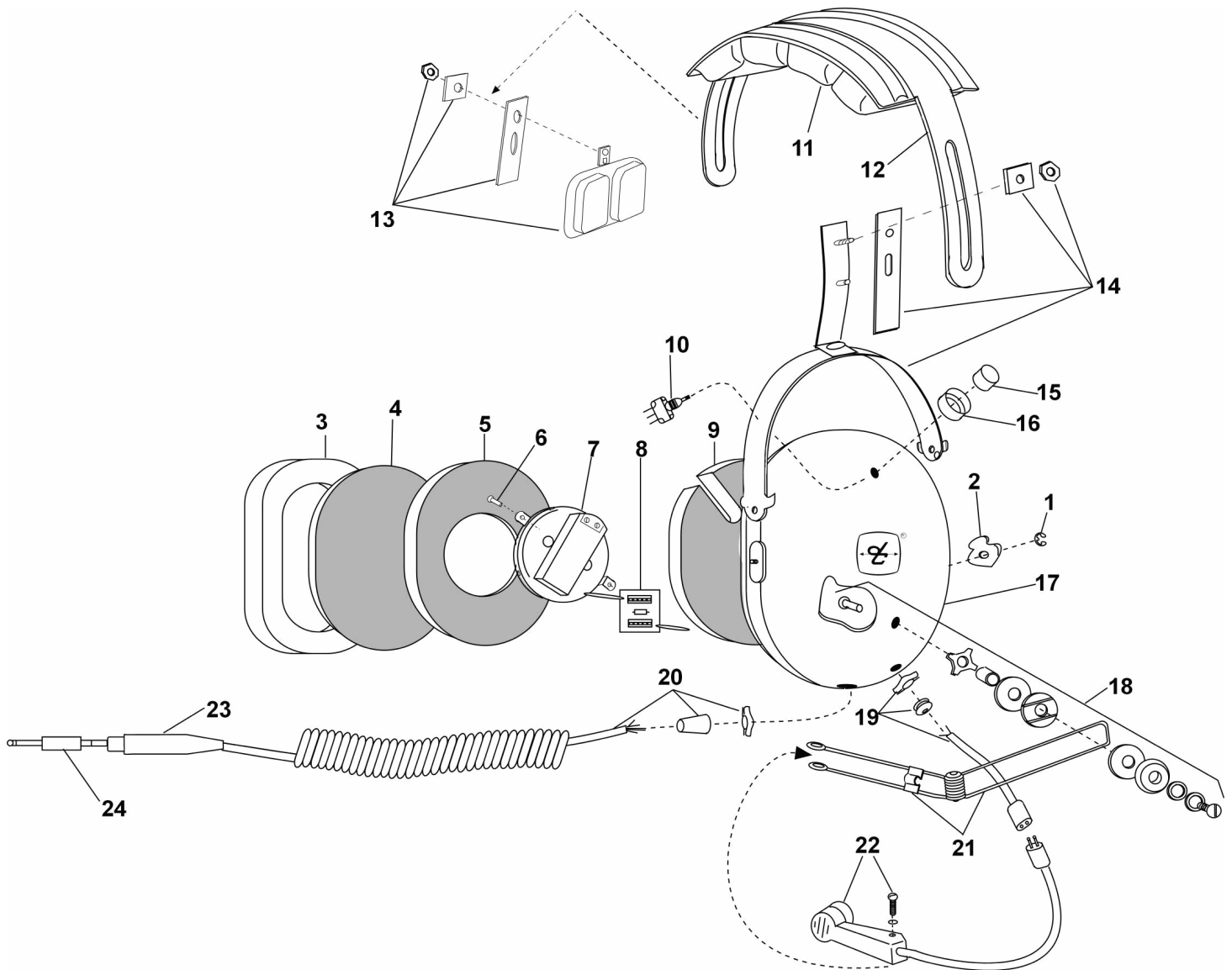


David Clark COMPANY INCORPORATED

360 Franklin Street, Box 15054, Worcester, MA 01615-0054
TEL.: (508) 751-5800 E-Mail: sales@DavidClark.com FAX: (508) 753-5827

PARTS LIST MODEL H3392



No.	Description	Part No.
1	Retaining Ring (10/pk)	00009M-03
2	Dome Stop	15097P-01
3	Earseal (pair)	18316G-02
4	Filter (1 each)	14096P-09
5	Filter (1 each)	25629P-03
6	Screw/Grommet Kit (4 pk)	18900G-47
7	Earphone Assembly	10376G-20
8	PCB Assembly	18289G-13
9	Dome Filter (1 each)	26475P-02
10	Push Button Switch	09851P-17
11	Headpad Assy	40075G-02
12	Headband Spring	15247P-01

No.	Description	Part No.
13	Temple Pad Assy Kit	18900G-37
14	Stirrup & Clamp Kit	22378G-08
15	Switch Cap Kit	41090G-13
16	Switch Guard	13148P-01
17	Left Dome	15253P-17
18	Boom Guide Kit	12840G-01
19	Mic Jack Cord Kit	10405G-05
20	Communication Cord Assy Kit	18028G-34
21	Microphone Boom Assy	12765G-04
22	M-1/DC Microphone	12948G-01
23	Bend Relief Sleeve	17836P-03
24	Electrical Connector Kit	18900G-42

ELECTRICAL SCHEMATIC MODEL H3392

