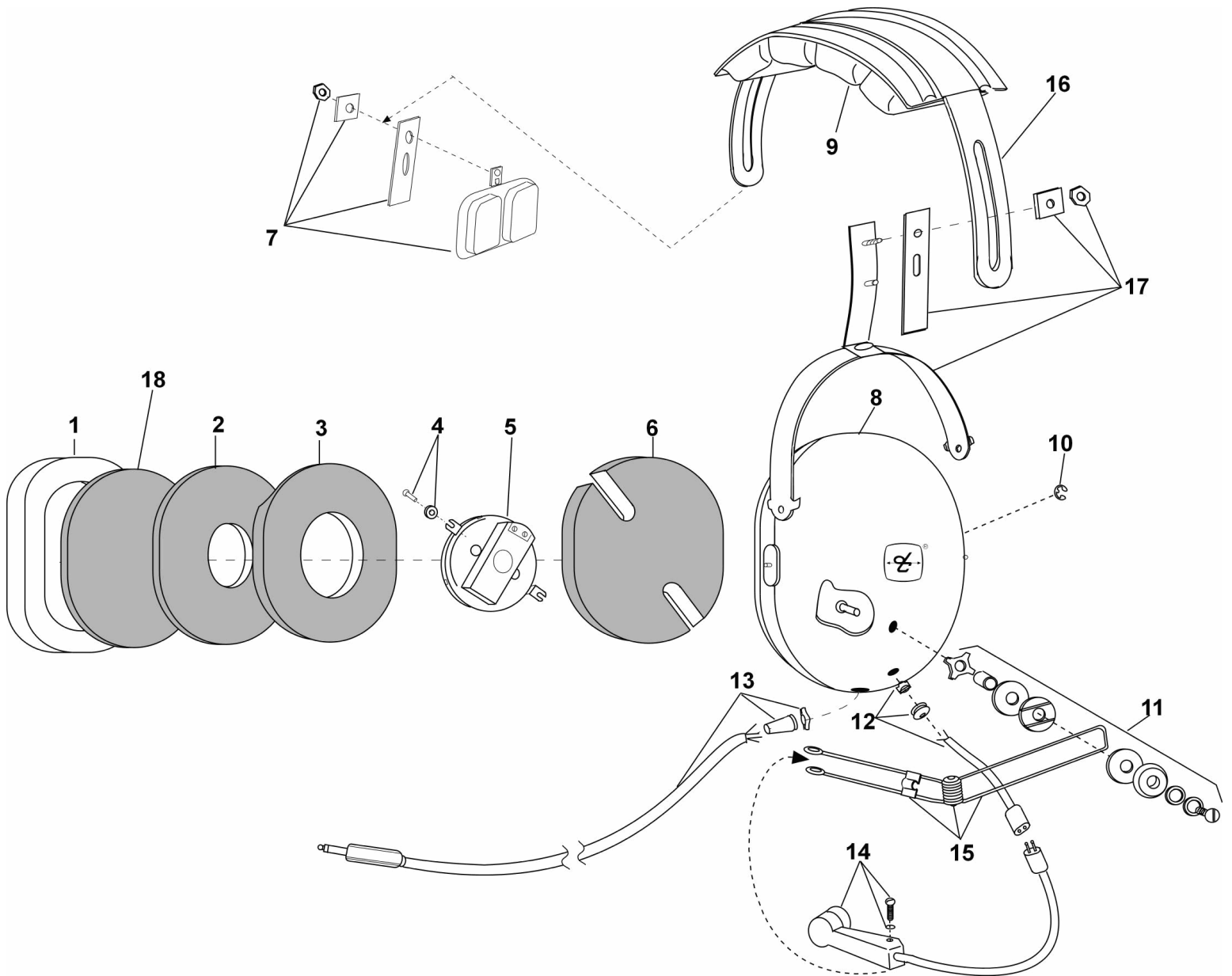


David Clark COMPANY INCORPORATED

360 Franklin Street, Box 15054, Worcester, MA 01615-0054
TEL.: (508) 751-5800 E-Mail: sales@DavidClark.com FAX: (508) 753-5827

PARTS LIST MODEL H3391



No.	Description	Part No.
1	Earseal (pair)	18316G-02
2	Dome Filter (1 each)	14096P-05
3	Dome Filter	25629P-03
4	Screw (4/pk)	18900G-47
5	Earphone Assembly	10376G-20
6	Dome Filter (1 each)	26475P-02
7	Temple Pad Assy Kit	18900G-37
8	Left Dome	15253P-19
9	Headpad Assy	40075G-02

No.	Description	Part No.
10	Retaining Ring (10/pk)	00009M-03
11	Boom Guide Kit	12840G-01
12	Mic Jack Cord Kit	10405G-05
13	Comm Cord Assy Kit	18028G-09
14	M-1/DC Microphone	12948G-01
15	Microphone Boom Assy	12765G-04
16	Headband Spring	15247P-01
17	Stirrup & Clamp Kit	22378G-11
18	Filter (1 each)	14096P-09

ELECTRICAL SCHEMATIC
MODEL H3391

