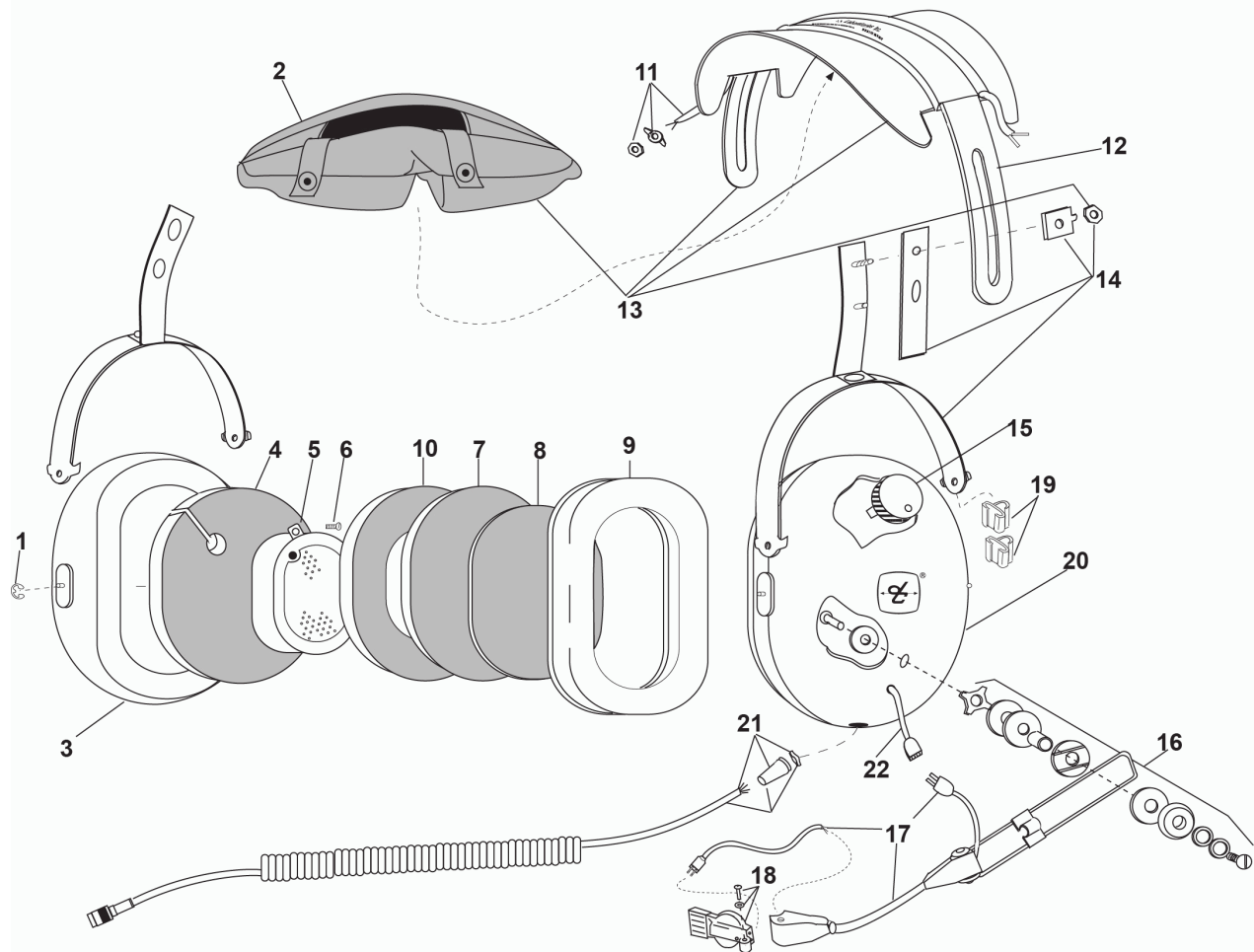




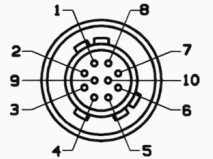
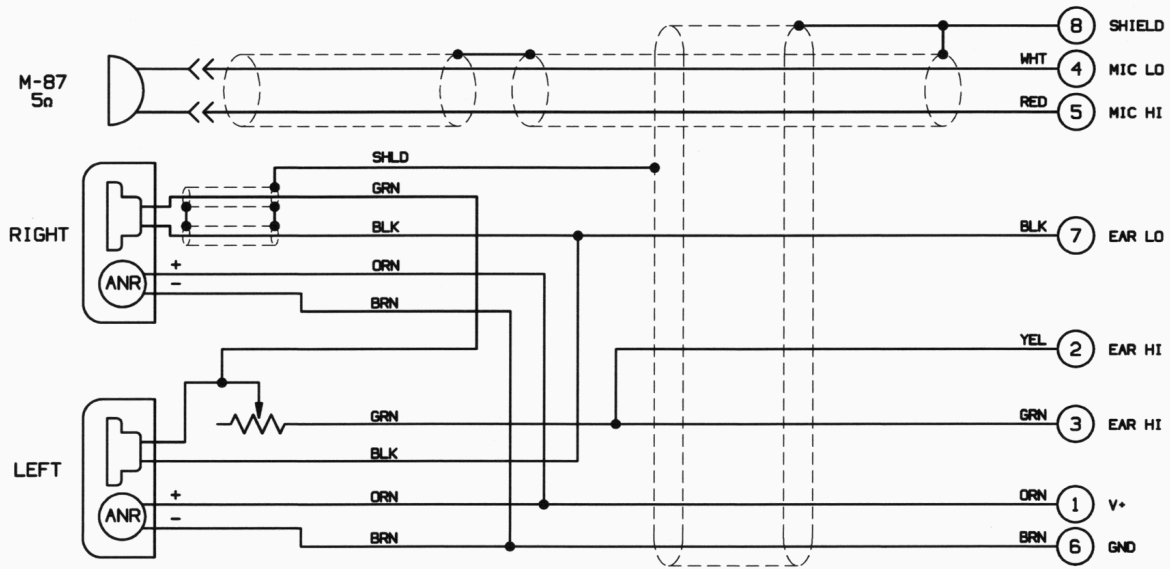
PARTS LIST
MODEL H10-76X



No.	Description	Part No.
1	Retaining Ring (10/pk)	00009M-03
2	Headpad Restraint, Foam	40867G-01
3	Right Dome	15253P-23
4	Filter, Outer, Yellow (1 each)	15511P-01
5	Module with Bracket	41090G-01
6	Screw/Grommet Kit (4 pk)	18900G-47
7	Filter, Inner (1 each)	15509P-02
8	Filter, Cloth (1 each)	15512P-03
9	Undercut Gel Earseal (pair)	40863G-02
10	Filter, Middle, Charcoal (1 each)	15510P-01
11	Overhead Cord Kit	22607G-12

No.	Description	Part No.
12	Headband Spring	15093P-01
13	Headband/Headpad Kit	40688G-36
14	Stirrup & Clamp Kit	22378G-12
15	Volume Control	09349P-59
16	Boom Attachment Kit	12840G-09
17	Mic Boom & Cord Assy	18740G-13
18	Microphone M-87/AIC	09168P-18
19	Clip, Cord (4/pk)	15350P-02
20	Left Dome	15253P-14
21	Comm Cord Kit	40599G-04
22	Mic Jack Cord Kit	18825G-12

ELECTRICAL SCHEMATIC MODEL H10-76X



EXTERNAL
PIN VIEW