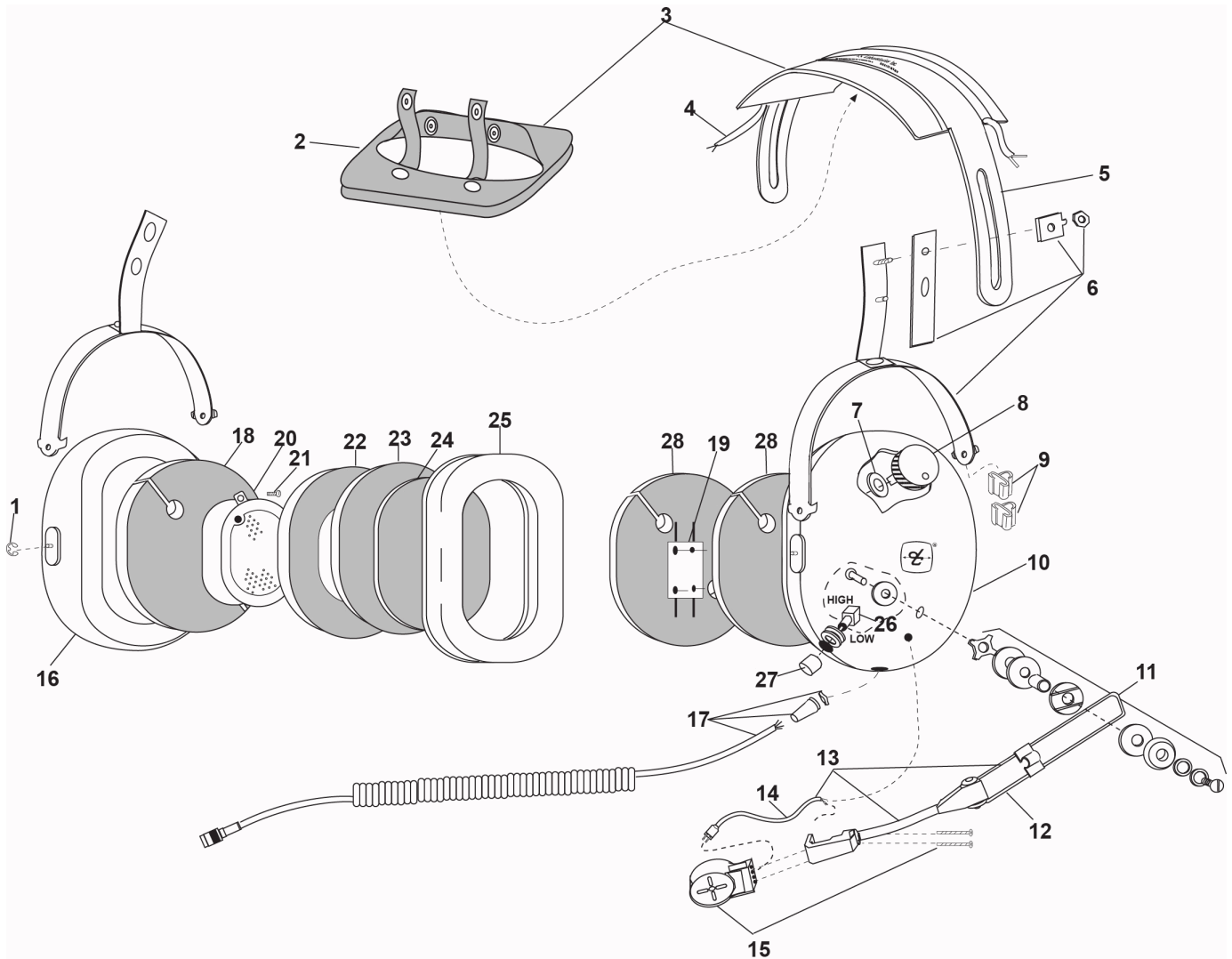


# David Clark COMPANY INCORPORATED

360 Franklin Street, Box 15054, Worcester, MA 01615-0054  
TEL.: (508) 751-5800 E-Mail: sales@DavidClark.com FAX: (508) 753-5827

## PARTS LIST MODEL H10-66X



No.	Description	Part No.
1	Retaining Ring (10/pk)	00009M-03
2	Headpad Restraint, Foam	40266G-01
3	Headpad Assy	18900G-48
4	Overhead Cord Kit	22607G-12
5	Headband Spring	15093P-01
6	Stirrup & Clamp Kit	22378G-12
7	O-Ring	09565P-24
8	Volume Control	09349P-59
9	Clip, Cord (4/pk)	15125P-02
10	Left Dome	11353P-56
11	Boom Attachment Kit	12840G-09
12	Microphone Boom Assy	18688G-07
13	Boom Assembly	18740G-09
14	Mic Cord Kit	18744G-05

No.	Description	Part No.
15	Microphone M-101/AIC	09168P-20
16	Right Dome	11353P-55
17	Comm Cord Kit	40599G-04
18	Filter, Outer, Yellow (1 each)	15511P-02
19	Amplifier, Mic, Assy	41087G-01
20	Module with Bracket	15507P-10
21	Screw (10/pk)	13180P-03
22	Filter, Middle, Charcoal (1 each)	15510P-04
23	Filter, Inner (1 each)	15509P-02
24	Filter, Cloth (1 each)	15512P-03
25	Undercut Gel Earseal (pair)	40863G-02
26	Toggle Switch	09494P-23
27	Switch Guard	13148P-01
28	Filter, Outer, Yellow (1 each)	15511P-01

# ELECTRICAL SCHEMATIC MODEL H10-66X

