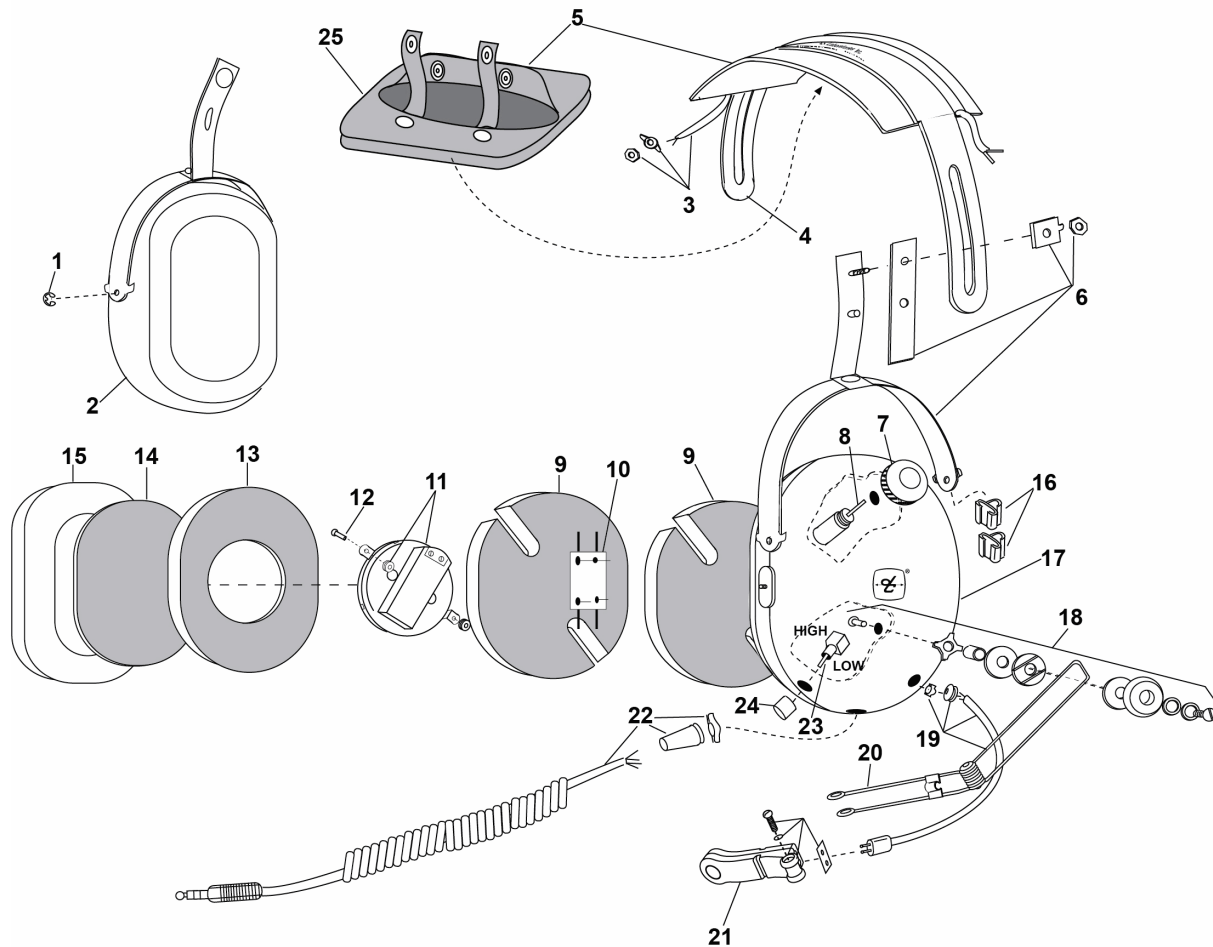


**PARTS LIST
MODEL H10-66**



NOTE: When changing from M101 Microphone to DC-87 Microphone, order Conversion Kit P/N 41090G-36

No.	Description	Part No.
1	Retaining Ring (10/pk)	00009M-03
2	Right Dome	11353P-29
3	Overhead Cord Assembly	22607G-01
4	Headband Spring	15093P-01
5	Headpad Assembly	18900G-45
6	Stirrup & Clamp Kit	22378G-08
7	Volume Control Knob	15109P-01
8	Volume Control	09349P-34
9	Dome Filter	26475P-02
10	Amplifier	41087G-01
11	Earphone Assembly	10376G-20
12	Screw (10/pk)	13180P-06
13	Dome Filter	25629P-03

No.	Description	Part No.
14	Filter (1 each)	14096P-09
15	Undercut Gel Earseal (pair)	40863G-02
16	Clip, Cord (4/pk)	15125P-02
17	Left Dome	11353P-39
18	Boom Guide Kit	12840G-01
19	Mic Plug Cord Kit	40910G-06
20	Microphone Boom Assy	12765G-09
21	Microphone DC-87	09168P-88
22	Comm Cord Kit	18028G-52
23	Toggle Switch Assy	18624G-23
24	Switch Guard	13148P-01
25	Headpad Restraint, Foam	40266G-01

ELECTRICAL SCHEMATIC MODEL H10-66

