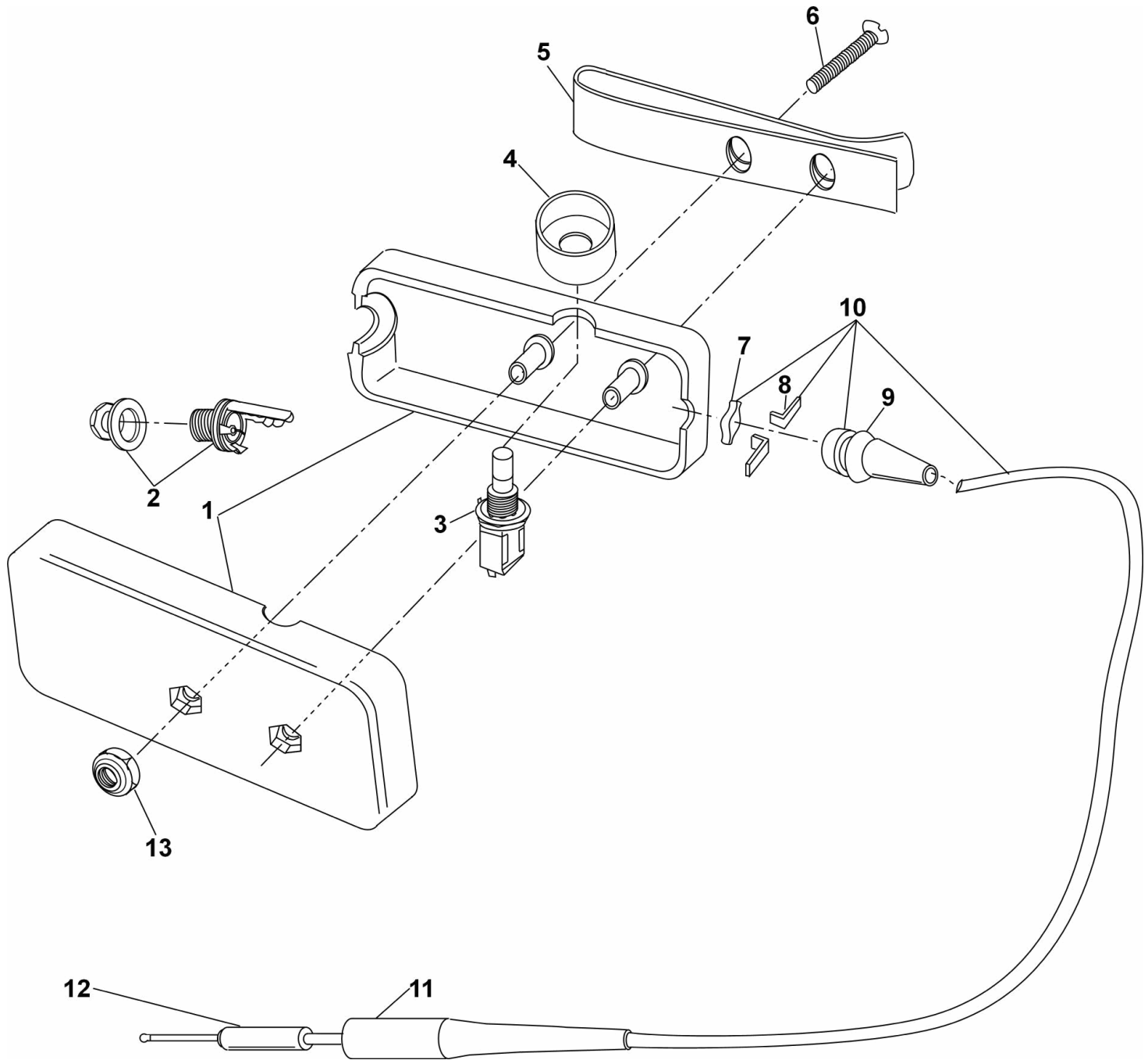




David Clark COMPANY INCORPORATED

360 Franklin Street, Box 15054, Worcester, MA 01615-0054
TEL.: (508) 751-5800 E-Mail: sales@DavidClark.com FAX: (508) 753-5827

PARTS LIST MODEL C35-30



| No. | Description | Part No. |
|-----|----------------------|-----------|
| 1 | Case | 10815G-09 |
| 2 | Headset Jack | 09228P-03 |
| 3 | Switch | 26619P-13 |
| 4 | Push Button Guard | 26553P-01 |
| 5 | Belt Clip | 15368P-01 |
| 6 | Screw (10/pk) | 18900G-02 |
| 7 | Circle Clamp (10/pk) | 24433P-14 |

| No. | Description | Part No. |
|-----|--------------------------|-----------|
| 8 | Anti-Rotation Clip 10/pk | 14176P-02 |
| 9 | Grommet | 14889P-01 |
| 10 | Comm Cord Kit | 18028G-46 |
| 11 | Bend Relief Sleeve | 17836P-03 |
| 12 | Electrical Connector Kit | 18900G-42 |
| 13 | Nut (10/pk) | 18900G-03 |

ELECTRICAL SCHEMATIC
MODEL C35-30

