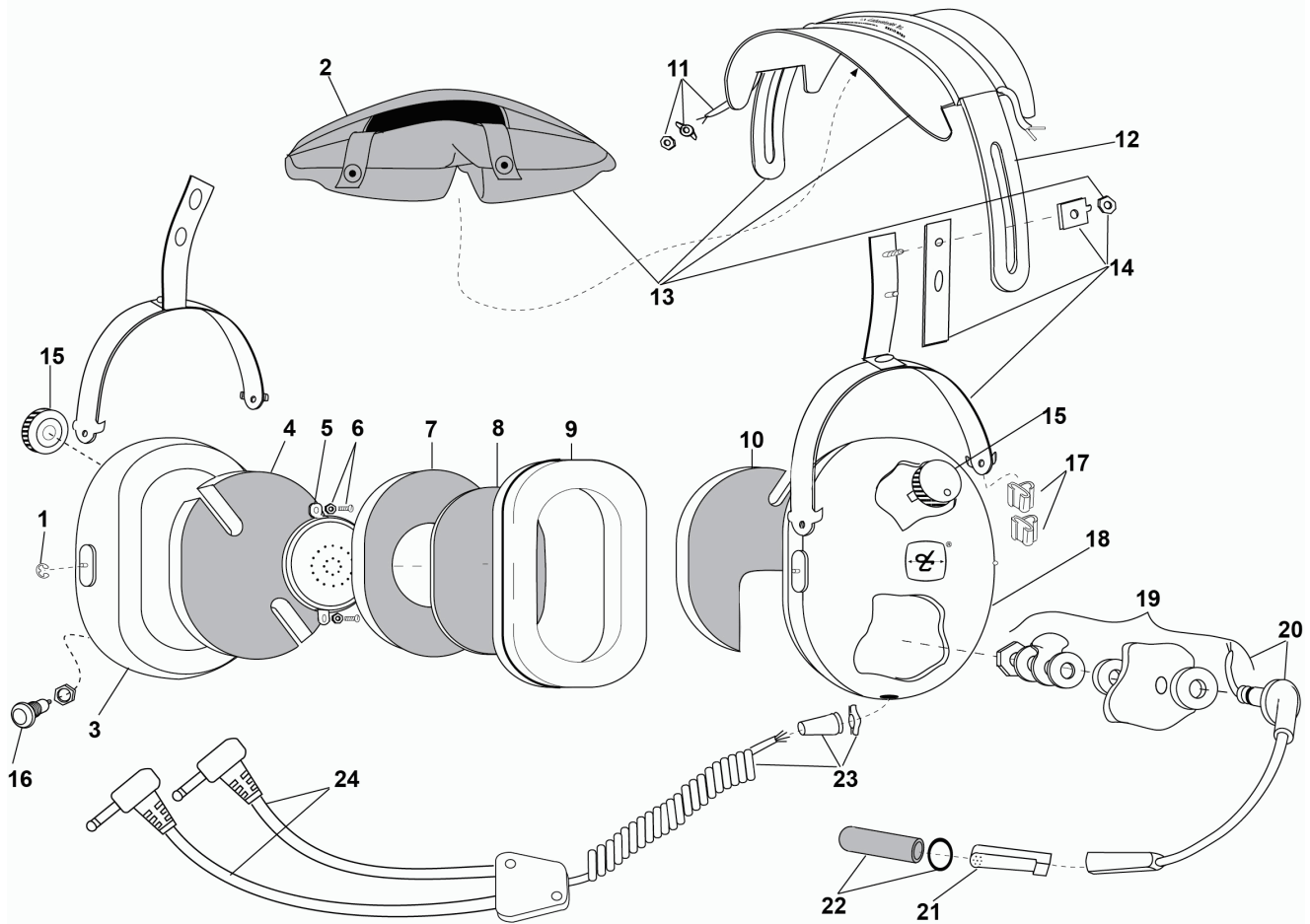




David Clark COMPANY INCORPORATED

360 Franklin Street, Box 15054, Worcester, MA 01615-0054
TEL.: (508) 751-5800 E-Mail: sales@DavidClark.com FAX: (508) 753-5827

PARTS LIST P/N 40642G-01



No.	Description	Part No.
1	Retaining Ring (10/pk)	00009M-03
2	Headpad Restraint, Foam	40867G-01
3	Dome, Right	15253P-45
4	Dome Filter (1 each)	26475P-02
5	Earphone Assembly	10376G-55
6	Screw/Grommet Kit (4 pk)	18900G-47
7	Filter (1 each)	25629P-03
8	Filter (1 each)	14096P-09
9	Undercut Gel Earseal (pair)	40863G-02
10	Filter (1 each)	26475P-08
11	Overhead Cord Kit	22607G-11
12	Headband Spring	15093P-01

No.	Description	Part No.
13	Headband/Headpad Kit	40688G-36
14	Stirrup & Clamp Kit	22378G-12
15	Volume Control	09349P-57
16	Switch Mic ON/OFF	26619P-21
17	Clip, Cord (4/pk)	15350P-02
18	Dome, Left	15253P-46
19	Boom Attachment Kit	12840G-19
20	Kit, Boom Assembly w/Att.	41090G-12
21	M-77 Electret Mic	09168P-35
22	Mic Protector	40062G-02
23	Comm Cord Kit	40599G-30
24	Cable Assy 3.5mm Plugs	18933G-13

ELECTRICAL SCHEMATIC P/N 40642G-01

