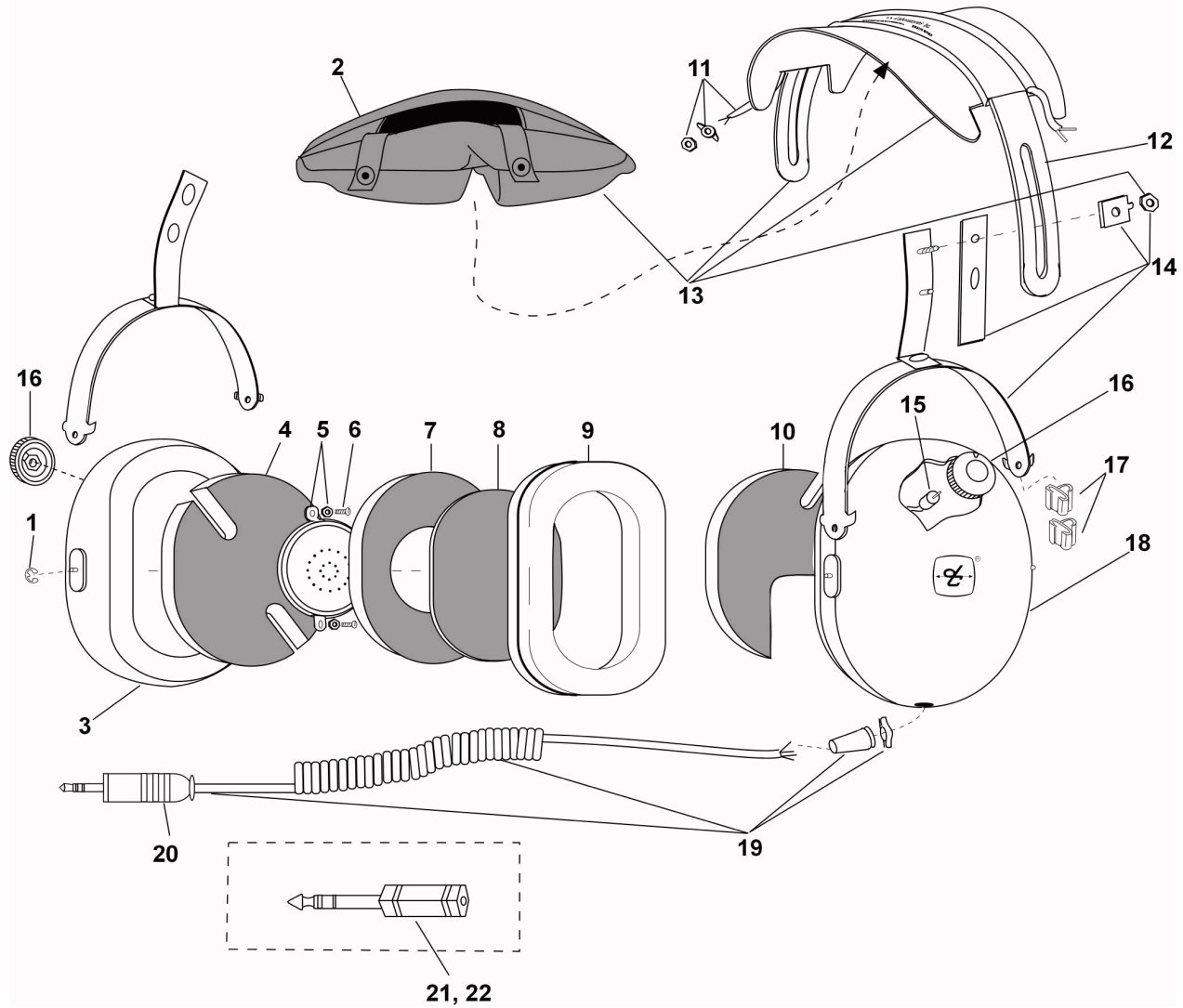




PARTS LIST
MODEL 10S/DC



No.	Description	Part No.
1	Retaining Ring (10/pk)	00009M-03
2	Headpad Restraint, Foam	40867G-01
3	Right Dome	15253P-08
4	Dome Filter (1 each)	26475P-02
5	Earphone Assembly	10376G-41
6	Screw/Grommet Kit (4 pk)	18900G-47
7	Filter (1 each)	25629P-03
8	Filter (1 each)	14096P-09
9	Undercut Gel Earseal (pair)	40863G-02
10	Filter (1 each)	26475P-08
11	Overhead Cord Kit	22607G-01

No.	Description	Part No.
12	Headband Spring	15093P-01
13	Headband/Headpad Kit	40688G-36
14	Stirrup & Clamp Kit	22378G-12
15	Volume Control	09349P-34
16	Volume Control Knob	15109P-01
17	Clip, Cord (4/pk)	15350P-02
18	Left Dome	15253P-36
19	Comm Cord Kit	18028G-57
20	Conn, EL 3.5mm Stereo	13265P-37
21	Adapter 3.5mm-1/4" Stereo	09949P-03
22	Adapter 3.5mm-1/4" Monaural	09949P-04

ELECTRICAL SCHEMATIC
MODEL 10S/DC

