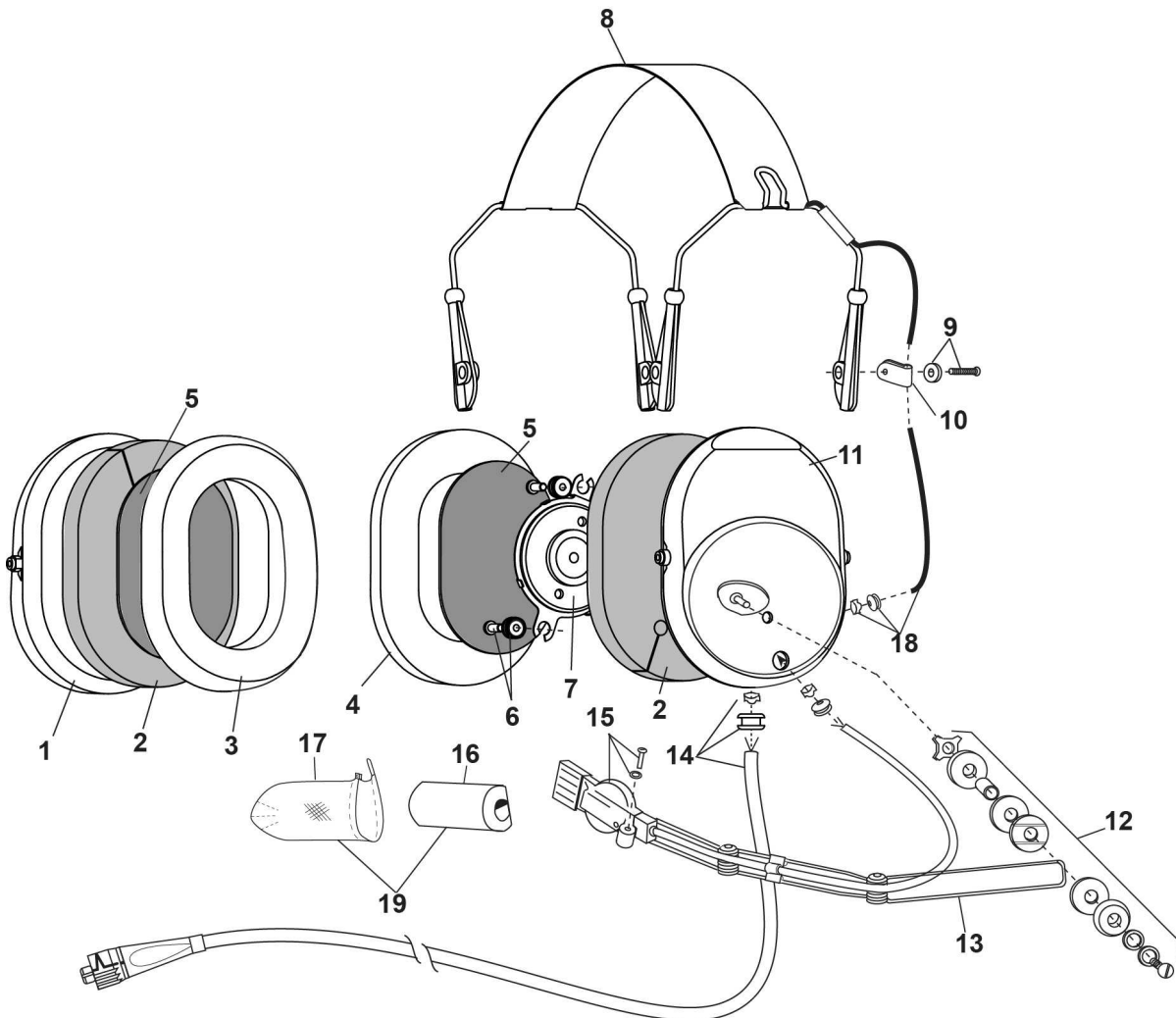


David Clark COMPANY
INCORPORATED

360 Franklin Street, Box 15054, Worcester, MA 01615-0054
TEL.: (508) 751-5800 E-Mail: sales@DavidClark.com FAX: (508) 753-5827

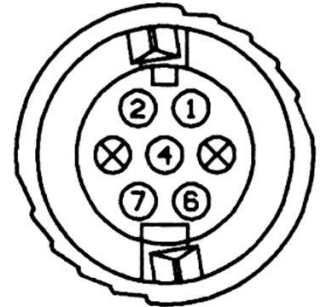
PARTS LIST
MODEL H9580



No.	Description	Part No.
1	Right Dome	15906P-04
2	Dome Filter	14096P-20
3	Earseal, Right	40977G-02
4	Earseal, Left	40977G-01
5	Filter	14096P-08
6	Screw & Washer Kit (10pk)	40688G-84
7	Earphone Assy	10376G-50
8	Suspension Assy	41028G-01
9	Screw & Washer Kit (10pk)	40688G-85
10	Cable Clamp (10pk)	15922P-02

No.	Description	Part No.
11	Left Dome	15906P-03
12	Boom Guide Kit	12840G-16
13	Microphone Boom Assy	12765G-08
14	Comm Cord Assy Kit	40599G-50
15	Mic, M87 IMM. PRF. w/Cord	40910G-01
16	Screen, Wind, Mic	14863P-01
17	Cover, Windscreen	18792G-02
18	Overhead Cord Kit	22607G-14
19	Kit, Mic Cover/Windscreen	40688G-94

ELECTRICAL SCHEMATIC MODEL H9580



FRONT VIEW

