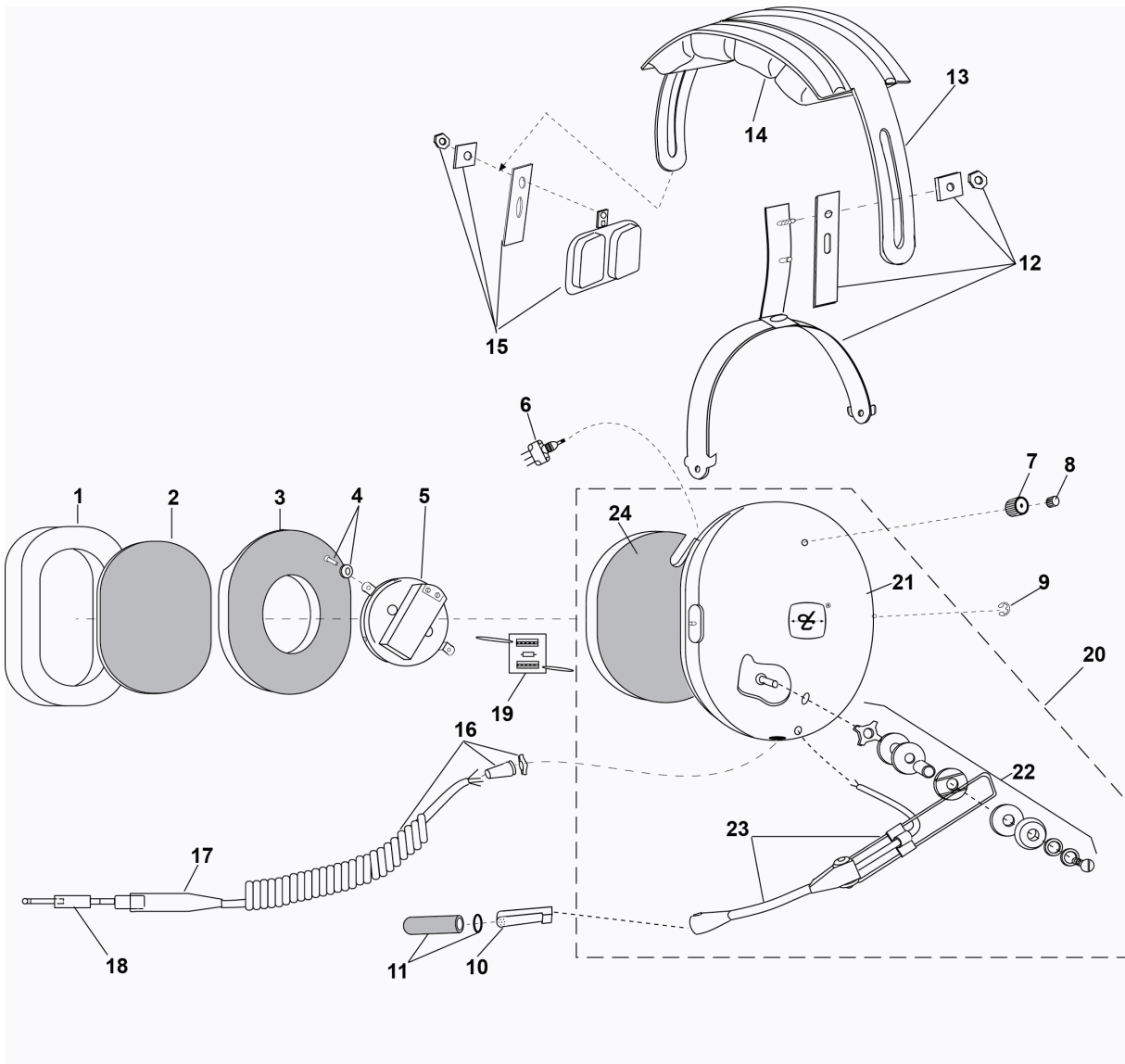


PARTS LIST
MODEL H3492



No.	Description	Part No.
1	Undercut Gel Earseal (pair)	40863G-02
2	Filter (1 each)	14096P-09
3	Filter (1 each)	25629P-03
4	Screw/Grommet Kit (4 pk)	18900G-47
5	Earphone Assembly	10376G-20
6	Push Button Switch	09851P-17
7	Switch Guard	13148P-01
8	Switch Cap Kit	41090G-13
9	Retaining Ring (10/pk)	00009M-03
10	M-7A Electret Mic	09168P-33
11	Mic Protector	40062G-02
12	Stirrup & Clamp Kit	22378G-11

No.	Description	Part No.
13	Headband Spring	15247P-01
14	Headpad Assy	40075G-02
15	Temple Pad Assy Kit	18900G-37
16	Communication Cord Assy Kit	18028G-34
17	Bend Relief Sleeve	17836P-03
18	Electrical Connector Kit	18900G-42
19	PCB Assembly	18289G-13
20	Kit, Dome & Mic Boom	40688G-74
21	Dome, Left	15253P-50
22	Boom Attachment Kit	12840G-09
23	Mic Boom & Cord Assy	18740G-05
24	Dome Filter (1 each)	26475P-02

ELECTRICAL SCHEMATIC
MODEL H3492

