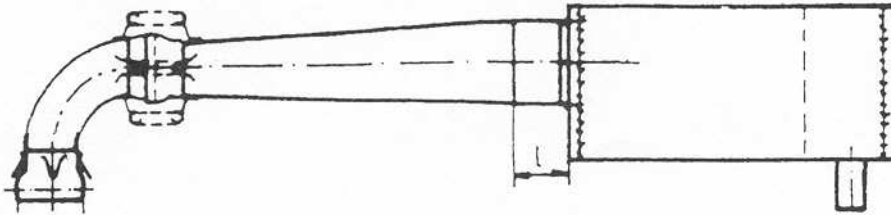
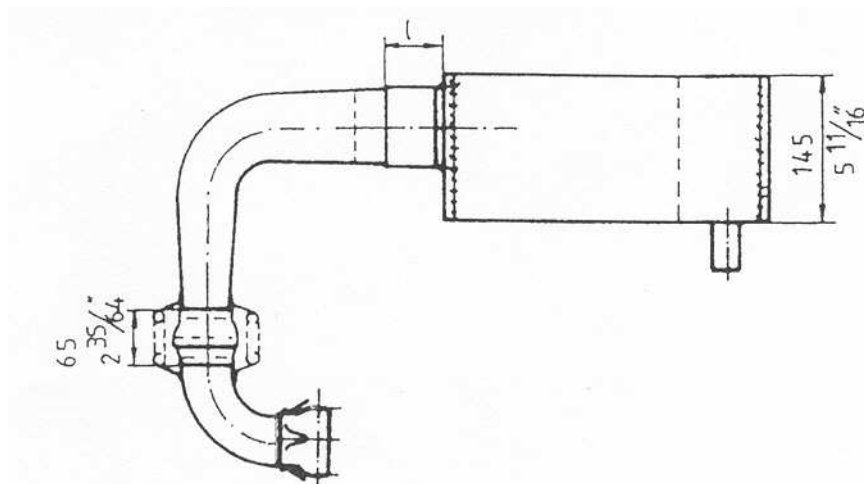


**Basic System:**

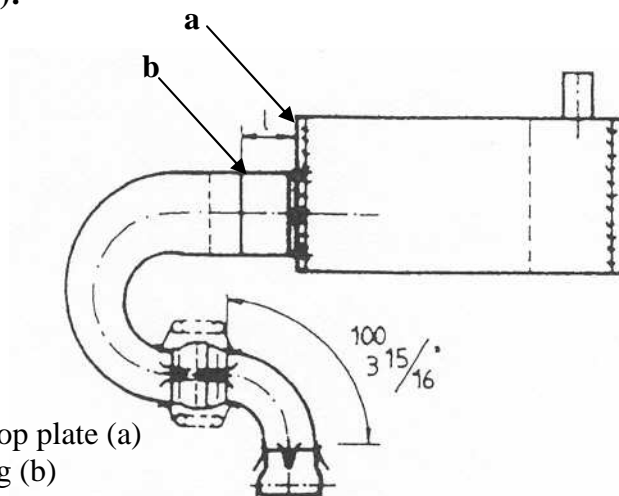
**Version 1 (straight version):**



**Version 2 (90° bow version):**



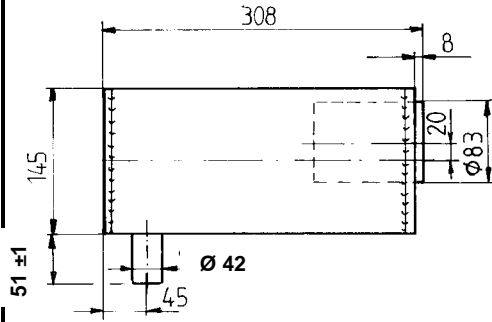
**Version 3 (180° bow version):**



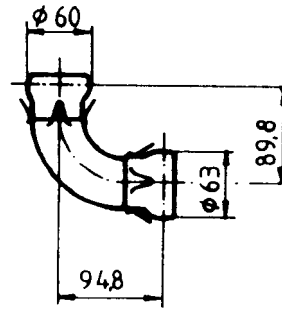
**Note:**

The length „l“ is from the top plate (a) to the middle of the welding (b)

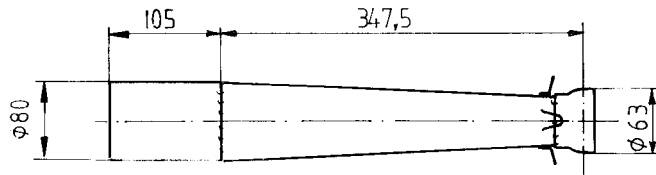
**278 T4U silencer complete**  
weight : 3,2 kg



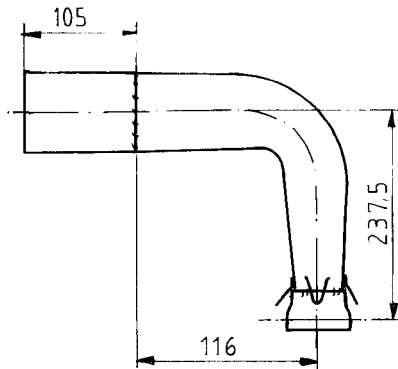
**F308 A5U connection bow**  
weight : 0,56 kg



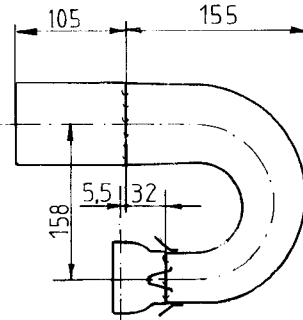
**278 T19U diffuser cone, complete**  
weight: 1,5 kg



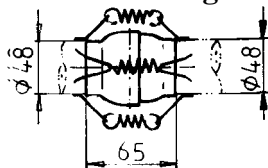
**278 T20U bow 90°, complete**  
weight : 1,4 kg



**278 T21U bow 180°, complete**  
weight : 1,4 kg



**278 H4U ball joint**  
weight : 0,26 kg

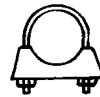
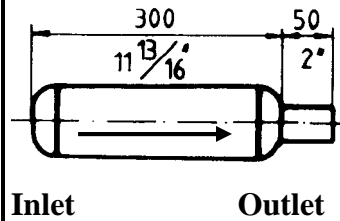


**F308 A4 loop**



**054.1 spring**

**278 R9U rear silencer**  
**weight: 1,0 kg**

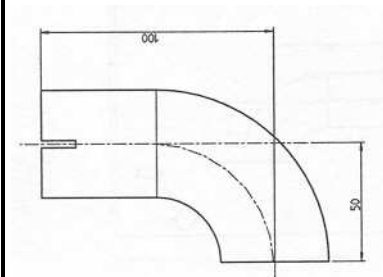


**268 A11U clamp**

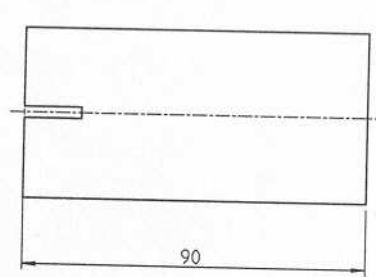
**Inlet**                      **Outlet**

**Connection tube between silencer 278 T4U and rear silencer 278 R9U.**  
**The connection tube is clamped on the silencer (Clamp 268 A11U) and welded on the rear silencer on inlet-side.**

**358G6 connection tube 90°**



**358 G5 connection tube, straight**



**Exhaust systems suitable to engine model.**

**3503 (2-carburetor, fuel injection):**

		1x	F308 A5U	connection bow	
	Ver. 1	1x	278 T19U	diffuser cone (straight)	l = 15 mm
or	Ver. 2	1x	278 T20U	bow (90°)	l = 65 mm
or	Ver. 3	1x	278 T21U	bow (180°)	l = 35 mm
		1x	278 T4U	silencer	

**H 3502 (fuel injection):**

		1x	F308 A5U	connecting bow	
	Var. 3	1x	S1191/0810U	bow (180°)	l = 40 mm
		1x	278 T4U	silencer	

**Please note, the performance specified for an engine will not be guaranteed if an exhaust variant is used which differs from the three basic versions (page one). As a result from such modifications, it is possible that damage may occur to the engine. There will be no liability by Göbler-Hirthmotoren to provide any warranty for any malfunction or damage incurred by such modifications.**

