



Hirth-Information

Mitteilung-Nummer:

0060/1N

Inhalt:

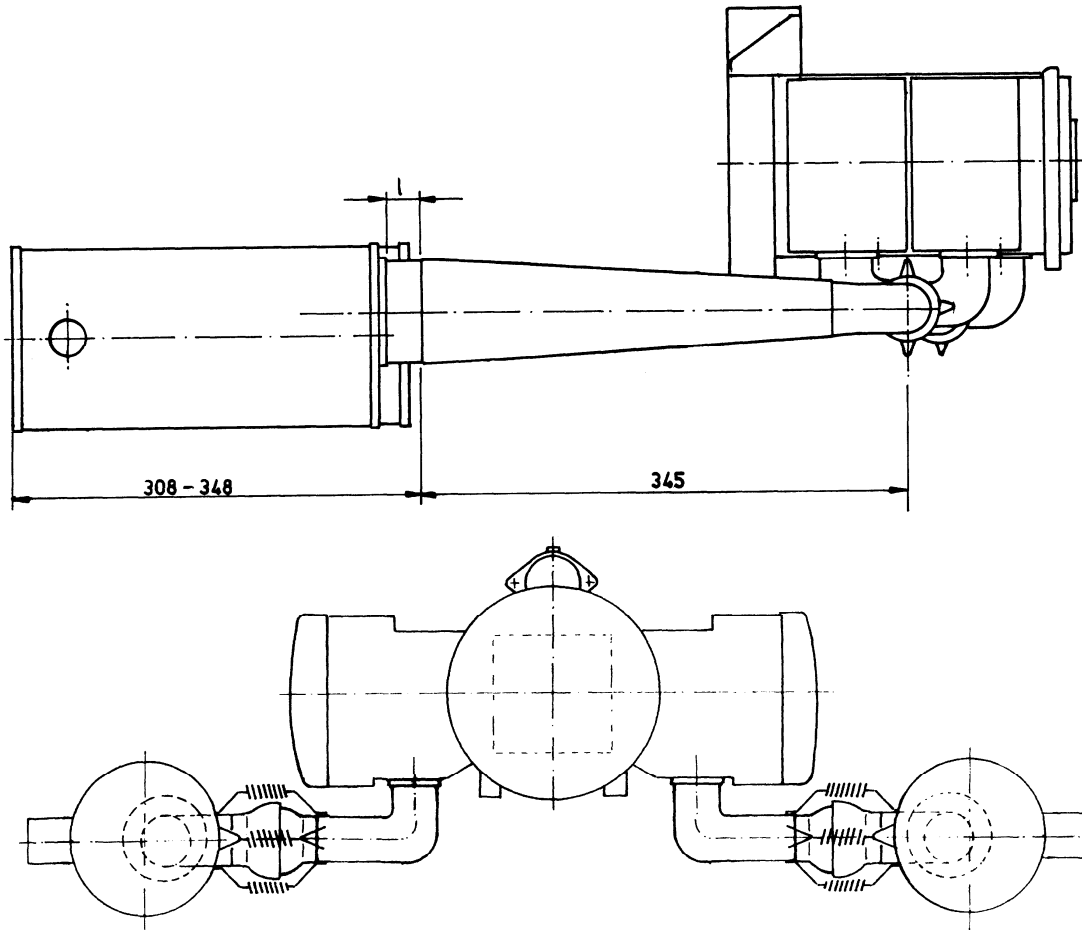
Exhaust-system survey
(4-Cylinder engines with 90°exhaust manifold [F308A1U])

Datum:

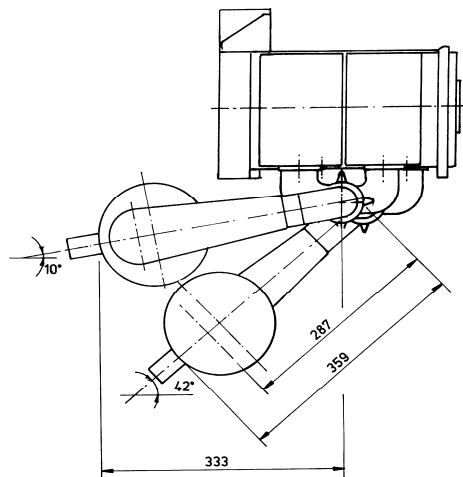
26.06.2001

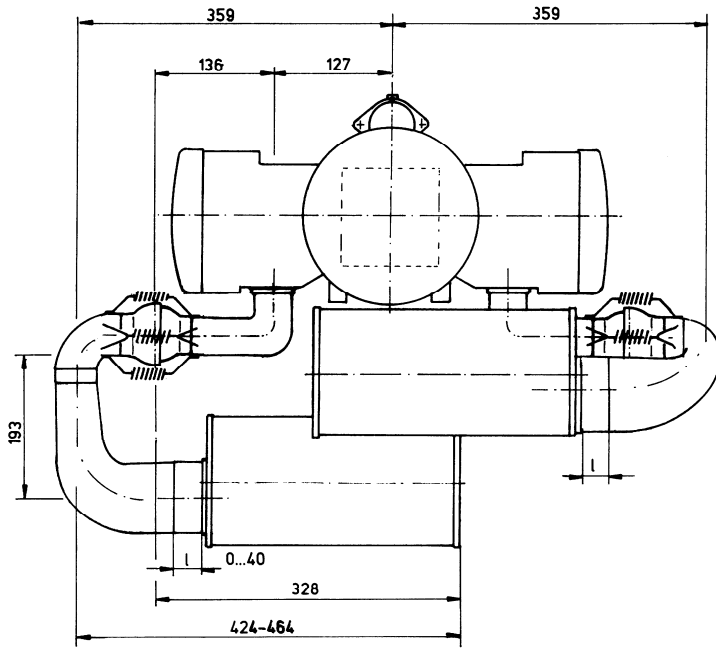
Basic systems:

Version 1 (straight version):

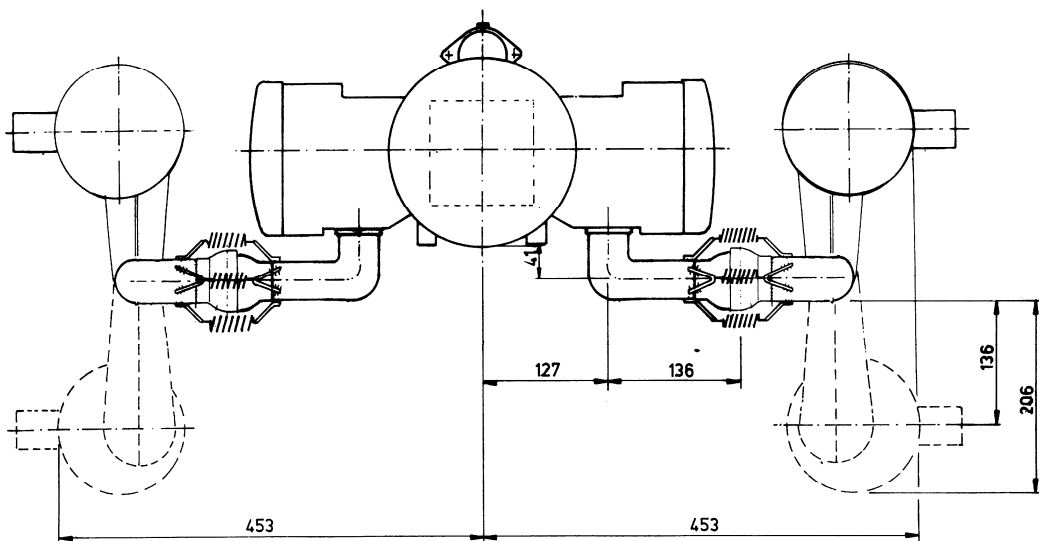
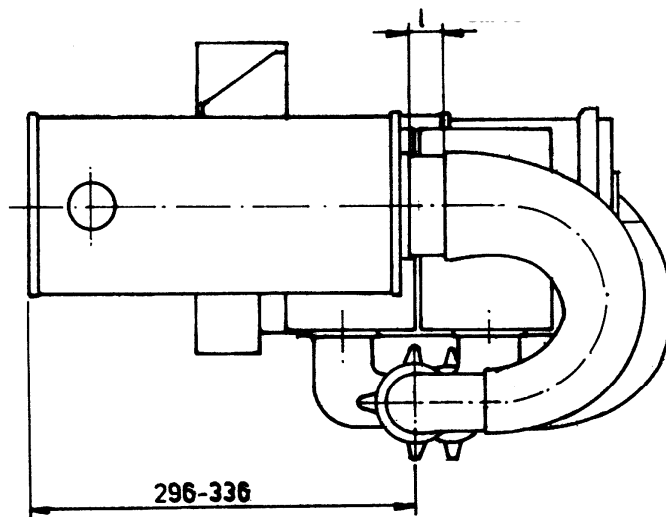


Version 2 (90° version):



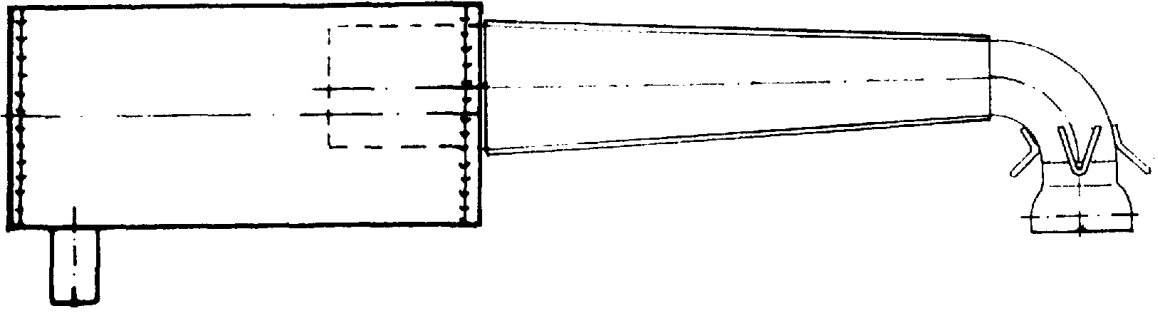


Version 3 (180° version):

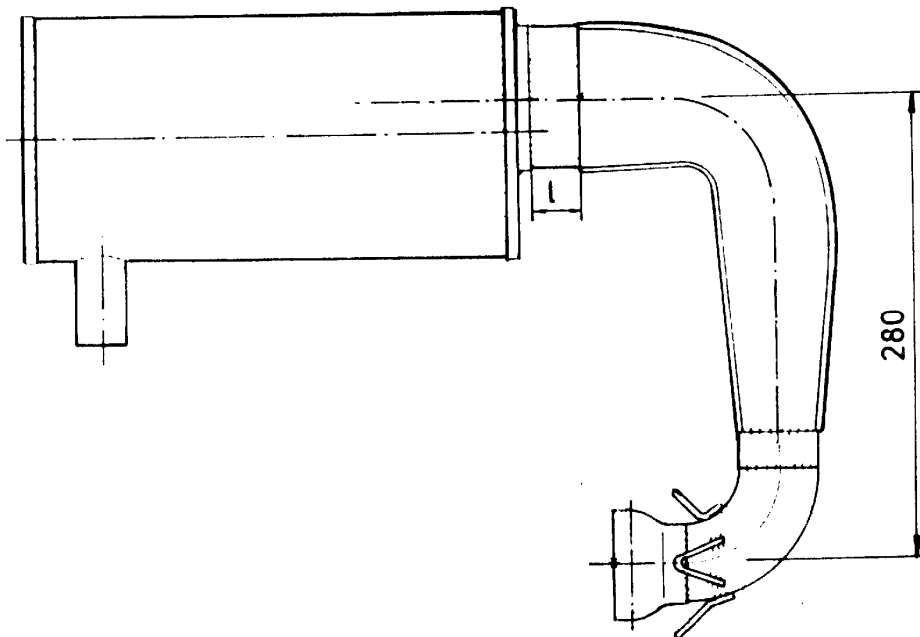


Components:

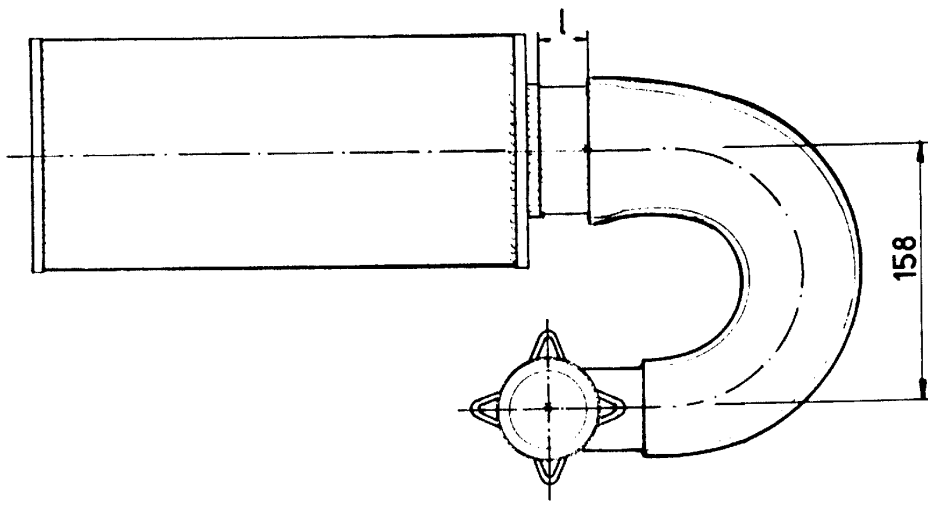
F308 A16U Silencer, complete



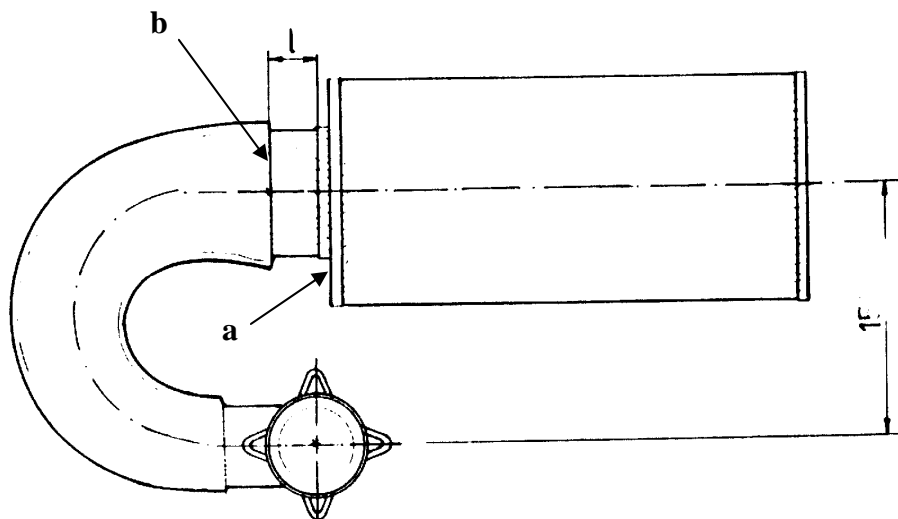
F308 A17U Silencer, complete



F308 A18U Silencer, complete



F308 A28U Silencer, complete



Note:

The length „l“ is from the top plate (a) to the middle of the welding (b)

Exhaustsystem length (l) accordingly to engine- and silencer type:

F 30 K / 3002 (2-carburetor):

	ver. 1	Diffuser cone (straight)	l = 40 mm
or	ver. 2	Bow (90°)	l = 40 mm
or	ver. 3	Bow (180°)	l = 40 mm

F 30 U / 3003 (2-carburetor):

	ver. 1	Diffuser cone (straight)	l = 0 mm
or	ver. 2	Bow (90°)	l = 0 mm
or	ver. 3	Bow (180°)	l = 0 mm

F 30 E / 3002 E (injection):

	ver. 1	Diffuser cone (straight)	l = 40 mm
or	ver. 2	Bow (90°)	l = 40 mm
or	ver. 3	Bow (180°)	l = 40 mm

F 30 ES / 3003 E (injection):

	ver. 1	Diffuser cone (straight)	l = 0 mm
or	ver. 2	Bow (90°)	l = 0 mm
or	ver. 3	Bow (180°)	l = 0 mm

H 30 ES (injection):

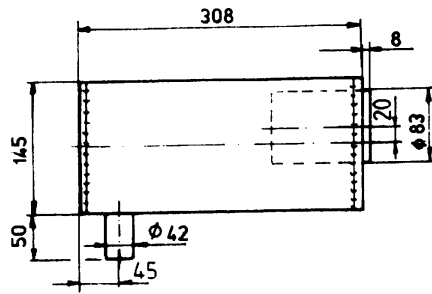
Var. 2 Bow (90°, without picture) l = 60 mm

The length l=0 mm stated for engine F30 U / 3003 (2 carbs) and F30 ES / 3003 E (with fuel injection) means that the diffuser cone (F308 A19U or F308 A20U or F308 A21U or F308 A29U) must be slipped in completely into the silencer (278 T4U). The lengths different from zero are referring to the spaces stated in sketches with "l".

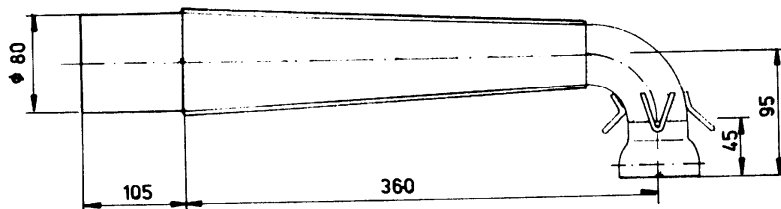
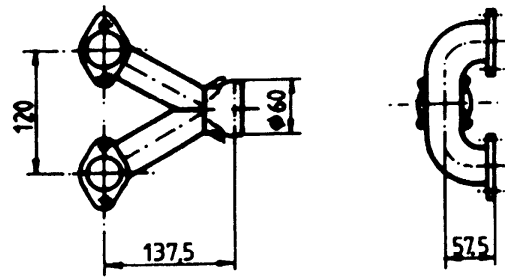
Please note that the performance specified for the engine won't be guaranteed if an exhaust variant is used differing from the 3 basic versions (see page 1). As a result from eventual

modifications of exhaust system the engine possibly might be damaged and in this case there is no liability for us to give warranty or guarantee.

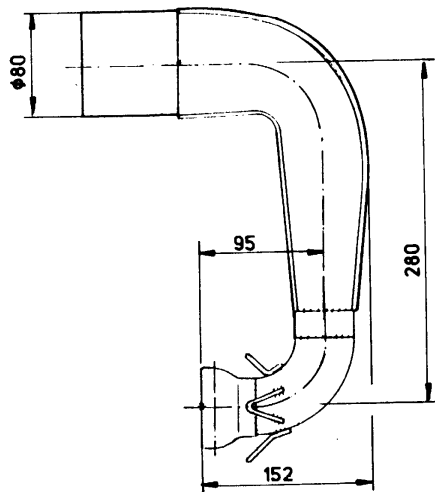
278 T4U Silencer, complete



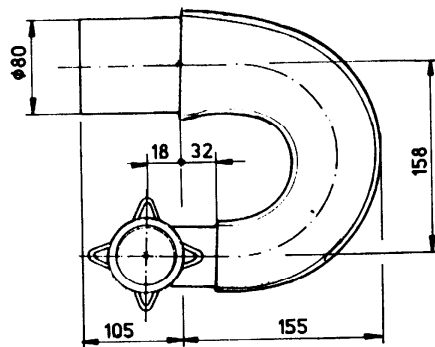
F308 A1U Exhaust manifold 90°



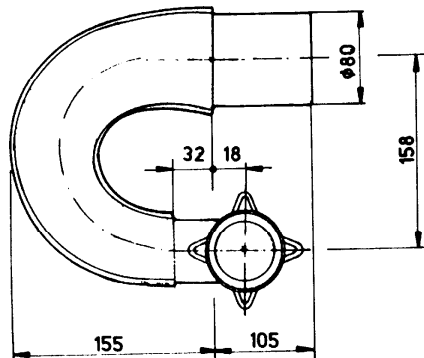
**F308 A19U
Diffuser cone, complete**



**F308 A20U
90° Bow, complete**



**F308 A21U
180° Bow right, complete**



**F308 A29U
180° Bow left, complete**