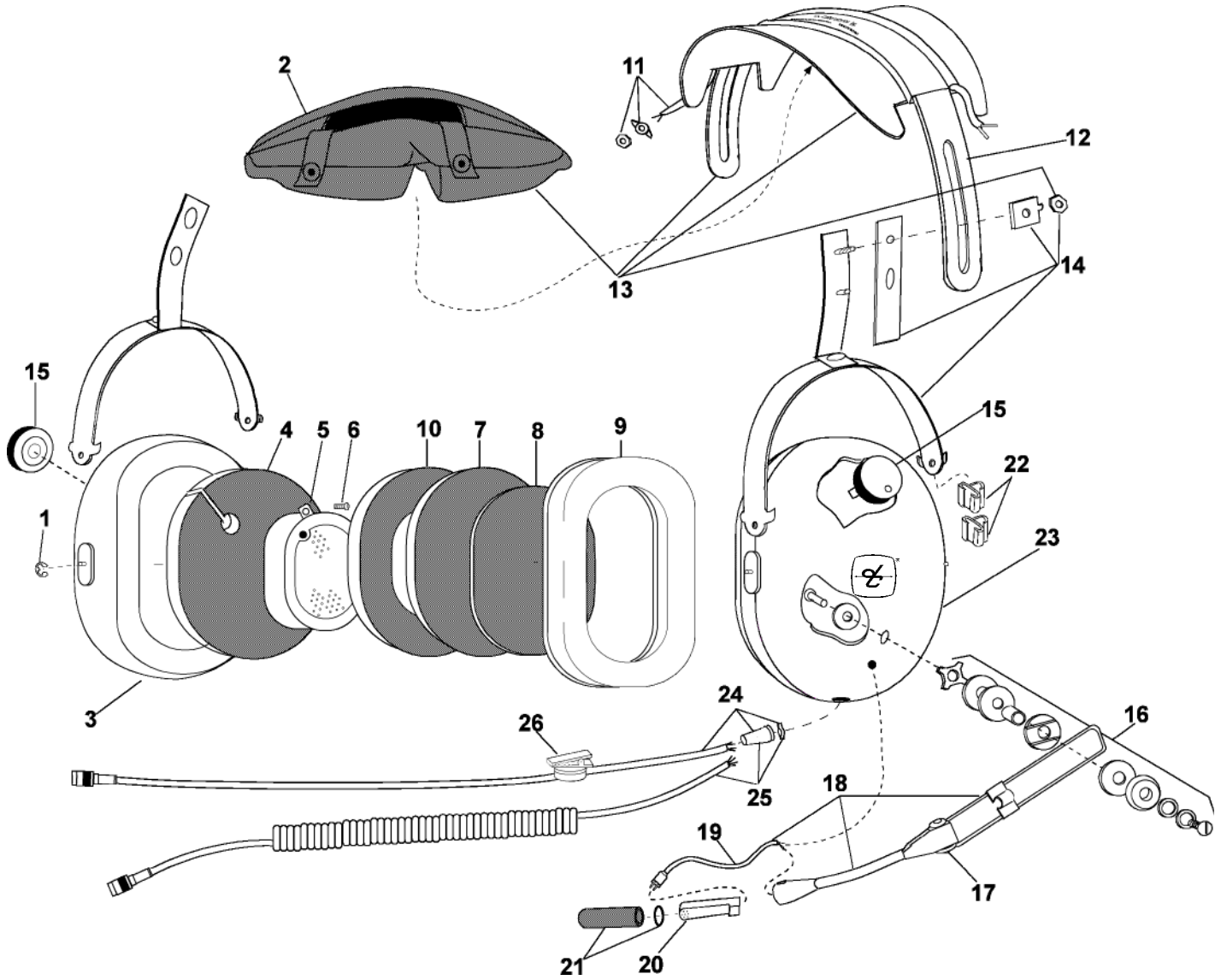


**David Clark** COMPANY  
INCORPORATED

360 Franklin Street, Box 15054, Worcester, MA 01615-0054  
TEL: (508) 751-5800 E-Mail: sales@DavidClark.com FAX: (508) 753-5827

**PARTS LIST**  
**MODEL H10-13X**  
**MODEL H10-13HX**  
**HEADSET ONLY**



No.	Description	Part No.
1	Retaining Ring (10/pk)	00009M-03
2	Headpad Restraint, Foam	40867G-01
3	Right Dome	15253P-15
4	Filter, Outer, Yellow	15511P-01
5	Module with Bracket	18900G-83
6	Screw (4/pk)	18900G-47
7	Filter, Inner	15509P-02
8	Filter, Cloth	15512P-03
9	Undercut Gel Earseals (pair)	40863G-02
10	Filter, Middle, Charcoal	15510P-01
11	Overhead Cord Kit	22607G-12
12	Headband Spring	15093P-01
13	Headband/Headpad Kit	40688G-36

No.	Description	Part No.
14	Stirrup & Clamp Kit	22378G-12
15	Volume Control	09349P-40
16	Boom Attachment Kit	12840G-09
17	Microphone Boom Assy	18688G-04
18	Mic Boom & Cord Assy	18740G-05
19	Mic Plug Cord	18744G-01
20	M-7A Electret Mic	09168P-33
21	Mic Protector	40062G-02
22	Clip, Cord (4/pk)	15350P-02
23	Left Dome	15253P-14
24	Comm Cord Kit (H10-13X)	40599G-02
25	Comm Cord Kit (H10-13HX)	40599G-04
26	Clothing Clip	18900G-86

# ELECTRICAL SCHEMATIC H10-13X H10-13HX HEADSET ONLY

