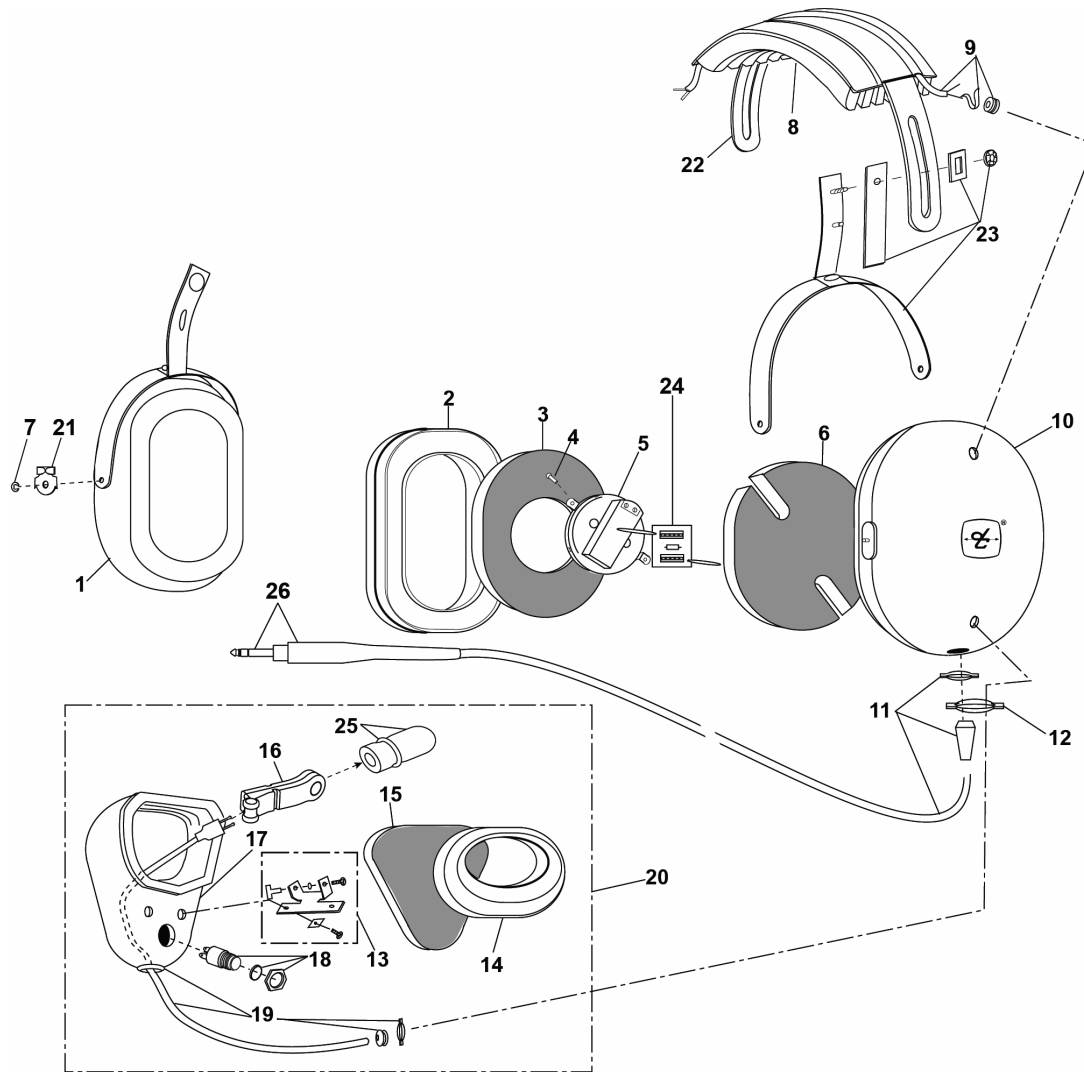


**PARTS LIST  
MODEL H3313**


| No. | Description                 | Part No.  |
|-----|-----------------------------|-----------|
| 1   | Dome, Right                 | 11353P-24 |
| 2   | Earseal (pair)              | 18316G-02 |
| 3   | Dome Filter                 | 25629P-03 |
| 4   | Screws (10/pk)              | 13180P-03 |
| 5   | Earphone Assembly           | 10376G-17 |
| 6   | Dome Filter                 | 26475P-02 |
| 7   | Retaining Ring (10/pk)      | 00009M-03 |
| 8   | Headpad Assembly            | 10133G-41 |
| 9   | Overhead Cord Assembly      | 22607G-01 |
| 10  | Dome, Left                  | 11353P-23 |
| 11  | Comm Cord Assembly Kit      | 18028G-15 |
| 12  | Clamp (10/pk)               | 24433P-10 |
| 13  | Microphone Bracket Assy Kit | 18317G-02 |

| No. | Description                        | Part No.  |
|-----|------------------------------------|-----------|
| 14  | Cushion, Mic Shield Assy           | 18417G-02 |
| 15  | Mic Shield Filter (1 each)         | 24653P-02 |
| 16  | Microphone DC-1A                   | 12948G-15 |
| 17  | Microphone Shield                  | 11389P-28 |
| 18  | Push-To-Talk Switch                | 26619P-29 |
| 19  | Microphone Cord Assembly           | 18315G-02 |
| 20  | Shield Assy with Microphone        | 18226G-19 |
| 21  | Dome Stop                          | 15097P-01 |
| 22  | Headband Spring                    | 25630P-01 |
| 23  | Stirrup Assembly                   | 22378G-01 |
| 24  | PCB Assembly                       | 18289G-13 |
| 25  | Screen, Wind, Mic                  | 40062G-06 |
| 26  | Kit, 1/4" Plug, Commercial, Stereo | 41090G-32 |

ELECTRICAL SCHEMATIC  
MODEL H3313

